

1.01 驾驶室装配/Cab Ass.

1.01 驾驶室装配/Cab Ass

| 序号 | 零部件图号 | 名称 | Part Name | 数量 | 备注 |
|-----|--------------|---------|-----------|-----|--------------|
| No. | Part No. | | | Qty | Remark |
| 1 | AZ1642900002 | 驾驶室装配总成 | Cab Ass. | 1 | CBFK11070018 |

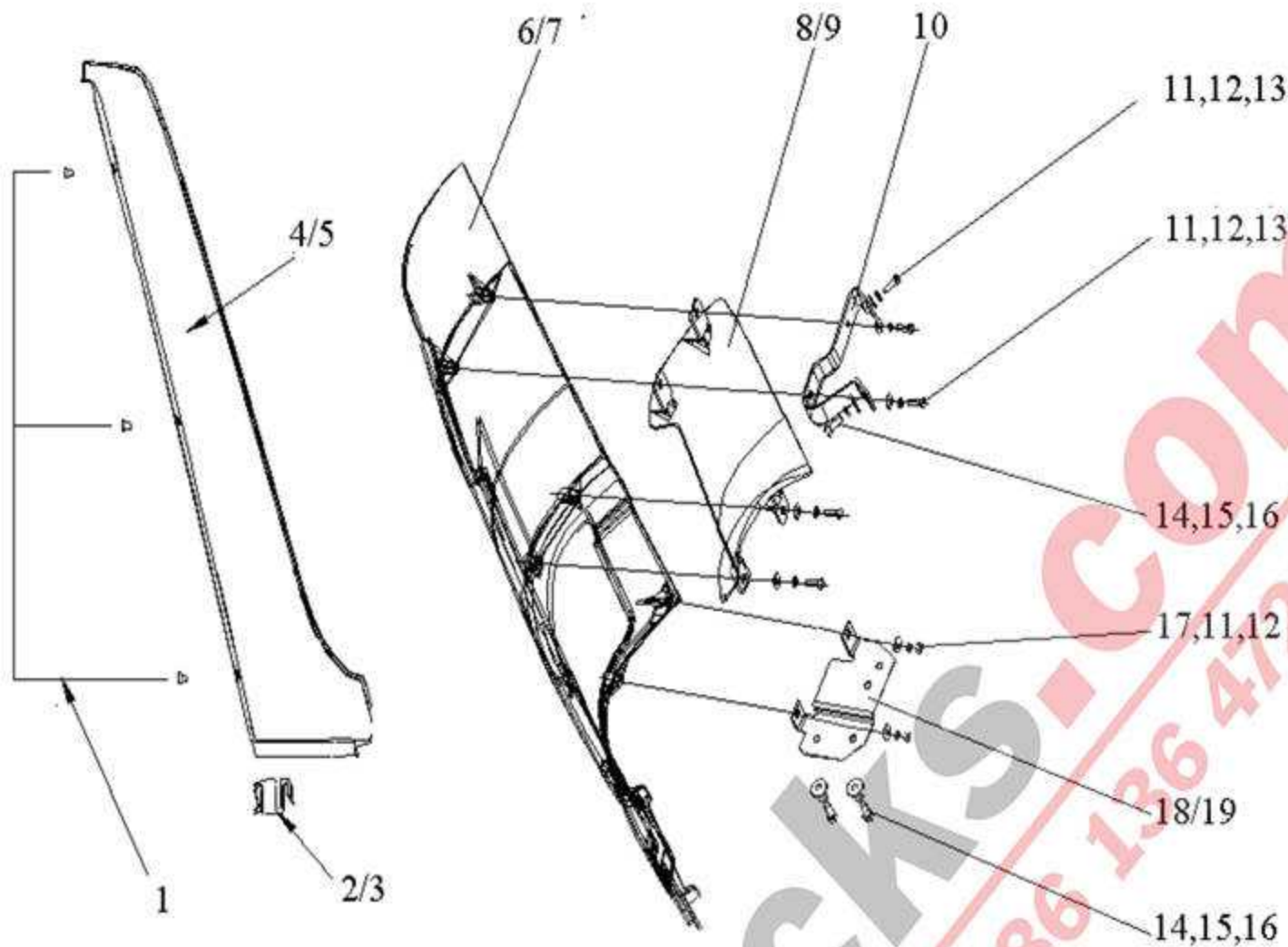
1.02 驾驶室本体/Cab Body



1.02 驾驶室本体/Cab Body

| 序号 | 零部件图号 | 名称 | Part Name | 数量 | 备注 |
|-----|--------------|-------------|----------------------|-----|------------|
| No. | Part No. | | | Qty | Remark |
| 1 | AZ1642100006 | 驾驶室本体 (带车门) | Cab Body(with doors) | 1 | incl.(2-8) |
| 2 | AZ1642180031 | 驾驶室本体 | Cab body | 1 | |
| 3 | AZ1642210002 | 右车门总成 | Door ass.-right | 1 | |
| 4 | AZ1642210001 | 左车门总成 | Door ass.-left | 1 | |
| 5 | Q1840825 | 六角法兰面螺栓 | Screw | 6 | |
| 6 | Q1840825 | 六角法兰面螺栓 | Screw | 6 | |
| 7 | AZ1642210009 | 车门铰链总成 | Hinge ass. | 2 | |
| 8 | AZ1642210009 | 车门铰链总成 | Hinge ass. | 2 | |

1.03 前围护面及散热器面罩 1/ Front Cover Ass. 1

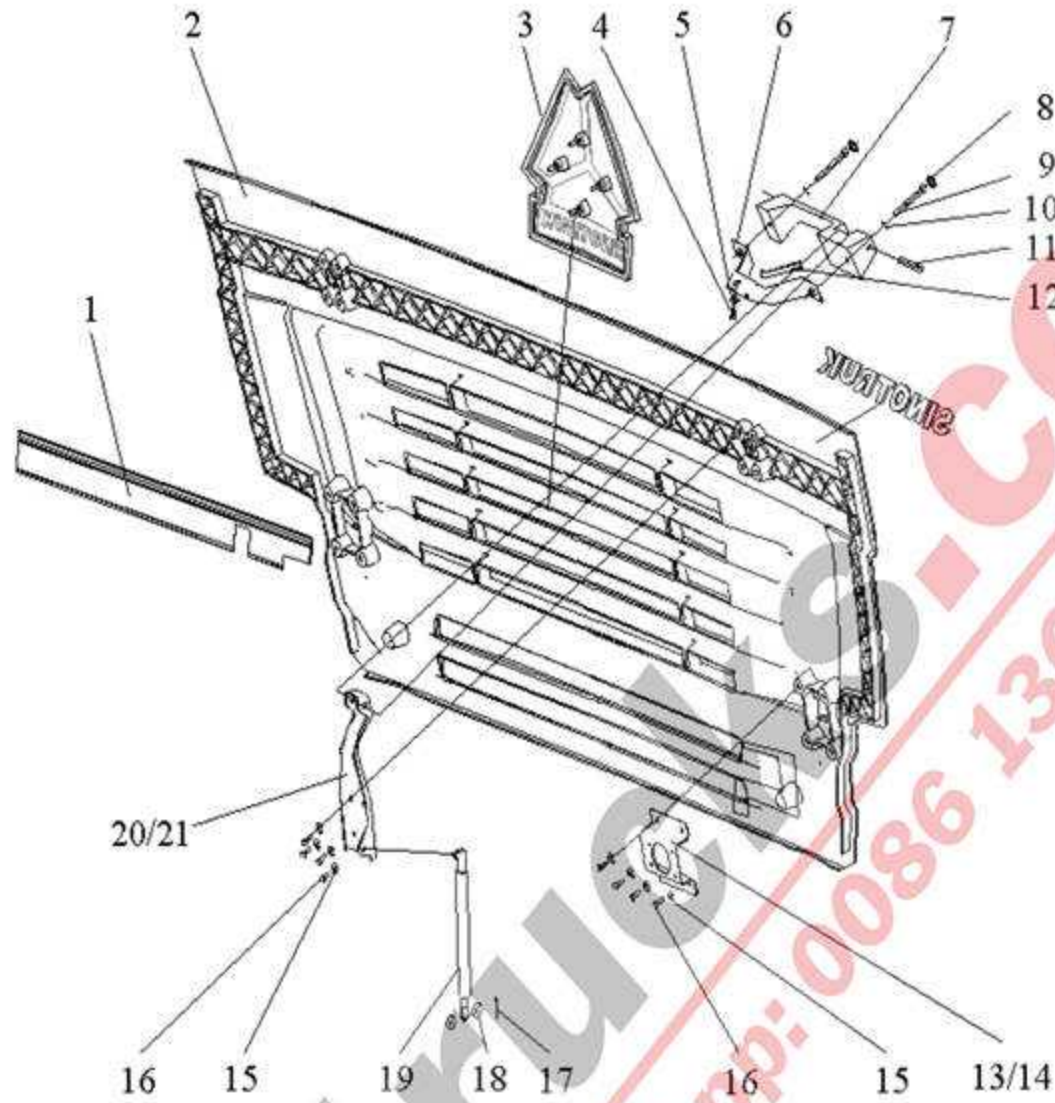


1.03 前围护面及散热器面罩 1/ Front Cover Ass. 1

| 序号 No. | 零部件图号 Part No. | 名称 Part Name | 数量 Qty | 备注 Remark |
|-----------|-------------------|---|-----------|--------------|
| 1 | WG1642110022 | A 立柱固定用塑料铆钉 Rivet | 6 | |
| 2 | WG1642110021 | 左 A 立柱固定夹 Clip | 2 | |
| 3 | WG1642110041 | 右 A 立柱固定夹 Clip | 1 | |
| 4 | WG1642110019 | 左 A 立柱装饰板 Panelling for "A" pole - left | 1 | |
| 5 | WG1642110020 | 右 A 立柱装饰板 Panelling for "A" pole - right | 1 | |
| 6 | WG1642110001 | 右导风罩外板总成 Outside Cover ass.-right | 1 | |
| 7 | WG1642110002 | 左导风罩外板总成 Outside Cover ass.-left | 1 | |
| 8 | WG1642110003 | 右导风罩内板 Inside Cover-right | 1 | |
| 9 | WG1642110004 | 左导风罩内板 Inside Cover-left | 1 | |
| 10 | AZ1642110006 | 上连接板总成 Plate | 2 | |
| 11 | Q150B0620 | 六角头螺栓 Screw | 10 | |
| 12 | Q40206 | 大垫圈 Washer | 14 | |
| 13 | Q40306 | 弹簧垫圈 Spring washer | 14 | |
| 14 | Q150B0820 | 六角头螺栓 Screw | 6 | |
| 15 | Q40208 | 大垫圈 Washer | 6 | |
| 16 | Q40308 | 弹簧垫圈 Spring washer | 6 | |

| | | | | | |
|----|--------------|-------|-------------------|---|--|
| 17 | Q350B06 | 六角薄螺母 | Nut | 4 | |
| 18 | AZ1642110007 | 右下连接板 | Plate-lower right | 1 | |
| 19 | AZ1642110008 | 左下连接板 | Plate-lower left | 1 | |
| | WG9100360134 | 隔环 | Spacer | 1 | |

1.03 前围护面及散热器面罩 2/ Front Cover Ass. 2

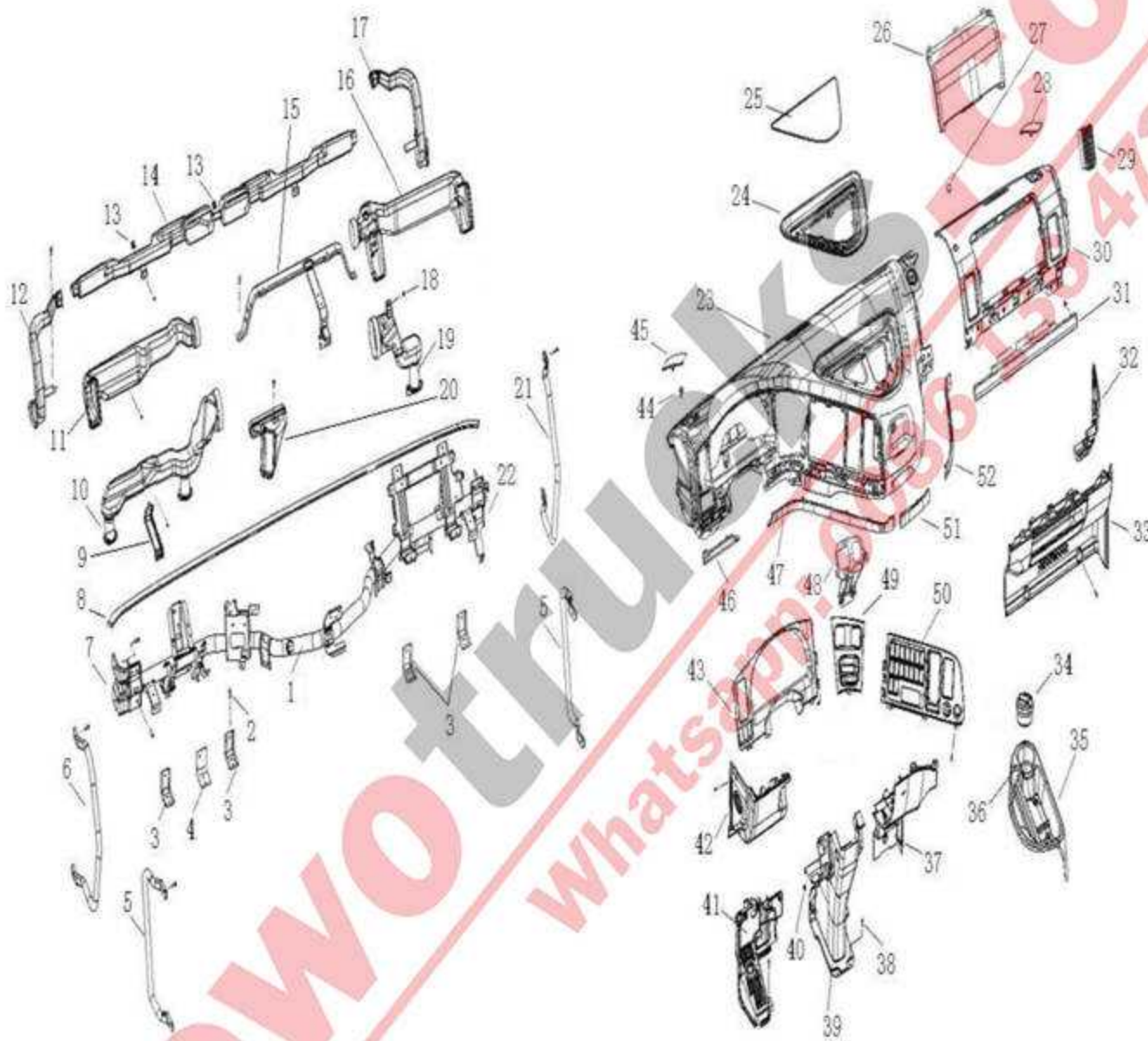


1.03 前围护面及散热器面罩 2/ Front Cover Ass. 2

| 序号 | 零部件图号 | 名称 | Part Name | 数量 | 备注 |
|-----|--------------|----------|-------------|-----|--------|
| No. | Part No. | | | Qty | Remark |
| 1 | WG1642110034 | 挡水板 | Plate | 1 | |
| 2 | WG1642110013 | 散热器面罩 | Front cover | 1 | |
| 3 | WG1642110212 | 重汽公司标志 | Logo | 1 | |
| 4 | Q150B0816 | 六角头螺栓 | Screw | 2 | |
| 5 | Q40208 | 大垫圈 | Washer | 2 | |
| 6 | AZ1642110014 | 铰链座支架总成 | Bracket | 2 | |
| 7 | WG1642110016 | 铰链座 | Hinge seat | 2 | |
| 8 | WG1642930003 | 堵盖 | Plug | 4 | |
| 9 | Q218B0860 | 内六角圆柱头螺钉 | Screw | 4 | |
| 10 | Q40008 | 小垫圈 | Washer | 4 | |
| 11 | AZ1642110017 | 铰链销 | Hinge pin | 2 | |
| 12 | WG1642110018 | 保护条 | Strip | 4 | |

| | | | | | |
|----|--------------|----------|-------------------|----|--|
| 13 | WG1642110028 | 面罩左锁总成 | Lock ass. -left | 1 | |
| 14 | WG1642110027 | 面罩右锁总成 | Lock ass. -right | 1 | |
| 15 | Q40206 | 大垫圈 | Washer | 18 | |
| 16 | Q150B0616 | 六角头螺栓 | Screw | 20 | |
| 17 | Q5002014 | 开口销 | Split pin | 2 | |
| 18 | WG9100360134 | 隔环 | Spacer | 4 | |
| 19 | WG1642110024 | 右气体弹簧支撑栓 | Spring | 2 | |
| 20 | AZ1642110032 | 左铰链焊接总成 | Hinge ass. -left | 1 | |
| 21 | AZ1642110033 | 右铰链焊接总成 | Hinge ass. -right | 1 | |

1.04 仪表台/Dashboard

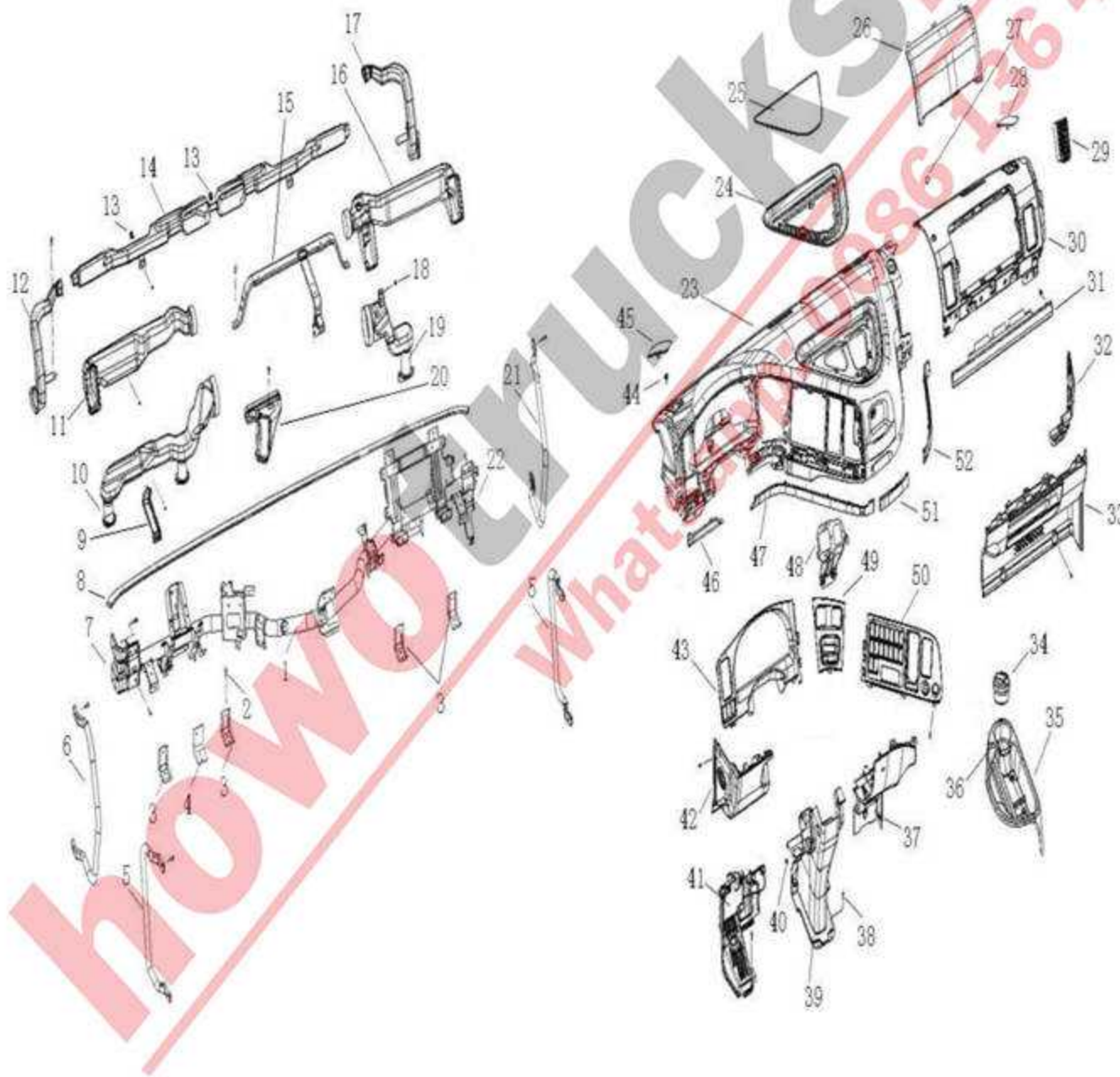


1.04 仪表台/Dashboard

| 序号 | 零部件图号 | 名称 | Part Name | 数量 | 备注 |
|-----|--------------|-------------|--------------------------|-----|--------|
| No. | Part No. | | | Qty | Remark |
| 1 | AZ1642161064 | 仪表台横梁焊接总成 | Crossmember ass | 1 | |
| 2 | Q2360620F31 | 组合件 | Combination screw | 10 | |
| 3 | AZ1642160181 | 地板支架总成 | Bracket | 4 | |
| 4 | AZ1642160251 | 转向柱右侧地板支架总成 | Bracket | 1 | |
| 5 | WG1642160052 | 后扶手 | Rear handle | 2 | |
| 6 | WG1642160047 | 左前上车扶手 | Front handle -left | 1 | |
| 7 | WG1642160060 | 仪表台横梁左支座总成 | Crossmember bracket-left | 1 | |

| | | | | | |
|----|--------------|-------------|------------------------|---|--|
| 8 | WG1642160010 | 前密封条 | Front sealing strip | 1 | |
| 9 | WG1642160021 | 左下风道固定支架总成 | Bracket | 1 | |
| 10 | WG1642160017 | 左下风道总成 | Air pipe-left lower | 1 | |
| 11 | WG1642160031 | 左侧风道总成 | Air pipe -left | 1 | |
| 12 | WG1642160011 | 左除霜风道总成 | Air pipe -left | 1 | |
| 13 | WG1642160146 | 塑料销座 | Seat | 2 | |
| 14 | WG1642160025 | 前除霜风道总成 | Air pipe -front | 1 | |
| 15 | AZ1642160109 | 横梁上部仪表台支架总成 | Bracket | 1 | |
| 16 | WG1642160037 | 右侧风道总成 | Air pipe -right | 1 | |
| 17 | WG1642160014 | 右侧除霜风道总成 | Air pipe -right | 1 | |
| 18 | WG1642930009 | 卡簧螺母 | Nut | 1 | |
| 19 | WG1642160023 | 右下风道总成 | Air pipe -right bottom | 1 | |
| 20 | WG1642160042 | 中后风道总成 | Air pipe - middle rear | 1 | |

1.04 仪表台/Dashboard

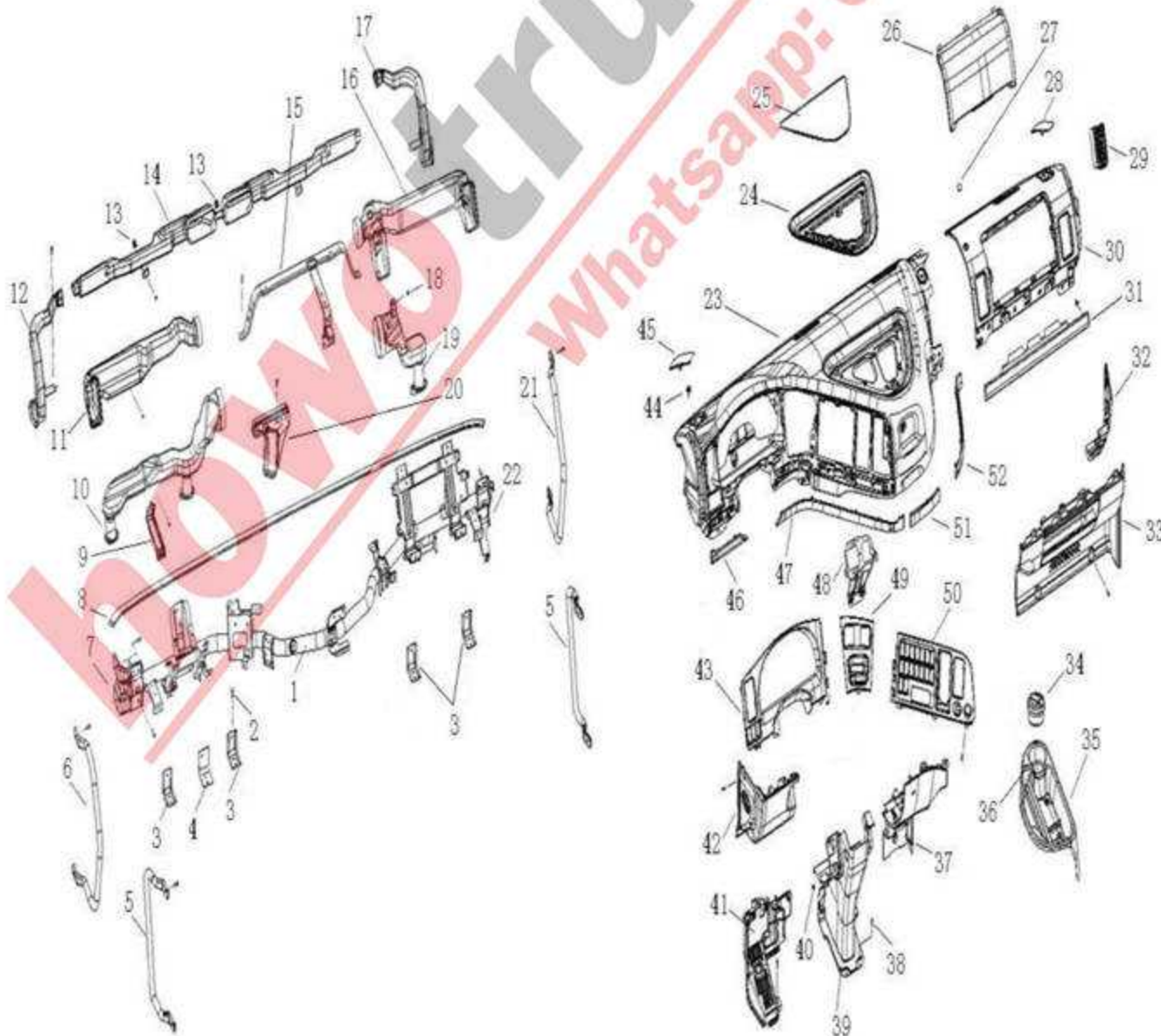


1.04 仪表台/Dashboard

| 序号 | 零部件图号 | 名称 | Part Name | 数量 | 备注 |
|-----|--------------|------------|---------------------|-----|--------|
| No. | Part No. | | | Qty | Remark |
| 21 | WG1642160050 | 右前上车扶手总成 | Front handle -right | 1 | |
| 22 | WG1642160062 | 仪表台横梁右支座总成 | Support seat -right | 1 | |

| | | | | | |
|----|--------------|----------------|---------------------------|---|--|
| 23 | WG1642160120 | 司机侧仪表台总成 | Dashboard ass. -left | 1 | |
| 24 | WG1642160213 | 仪表台中上部盖板 | Cover | 1 | |
| 25 | WG1642160214 | 仪表台中上部软垫 | Soft cushion | 1 | |
| 26 | WG1642160215 | 电器箱盖总成 | Electrical box cover | 1 | |
| 27 | WG1642930010 | 孔盖 | Cover | 1 | |
| 28 | WG1642160239 | 仪表台右前部螺钉盖板 | Cover | 1 | |
| 29 | WG1642160150 | 出风口总成 | Air outlet | 4 | |
| 30 | WG1642160170 | 副司机侧仪表台总成 | Dashboard ass. -right | 1 | |
| 31 | WG1642160175 | 副司机侧装饰条总成 | Panelling -right | 1 | |
| 32 | WG1642160172 | 副司机侧仪表台下护面侧盖总成 | Side cover | 1 | |
| 33 | WG1642160177 | 副司机侧仪表台下护面总成 | Side cover | 1 | |
| 34 | WG1642161243 | 便携式烟灰缸总成 | Ashtray ass. | 1 | |
| 35 | WG1642160242 | 发动机罩储物盒 | Storage box | 1 | |
| 36 | WG1642161242 | 点烟器孔盖 | Cover | 1 | |
| 37 | WG1642160230 | 转向柱右侧下护面总成 | Protect cover -right | 1 | |
| 38 | WG1642930620 | 组合件 | Combination screw | 2 | |
| 39 | WG1642161217 | 转向柱下护罩 | Protection cover - bottom | 1 | |
| 40 | WG1642930009 | 卡簧螺母 | Nut | 1 | |

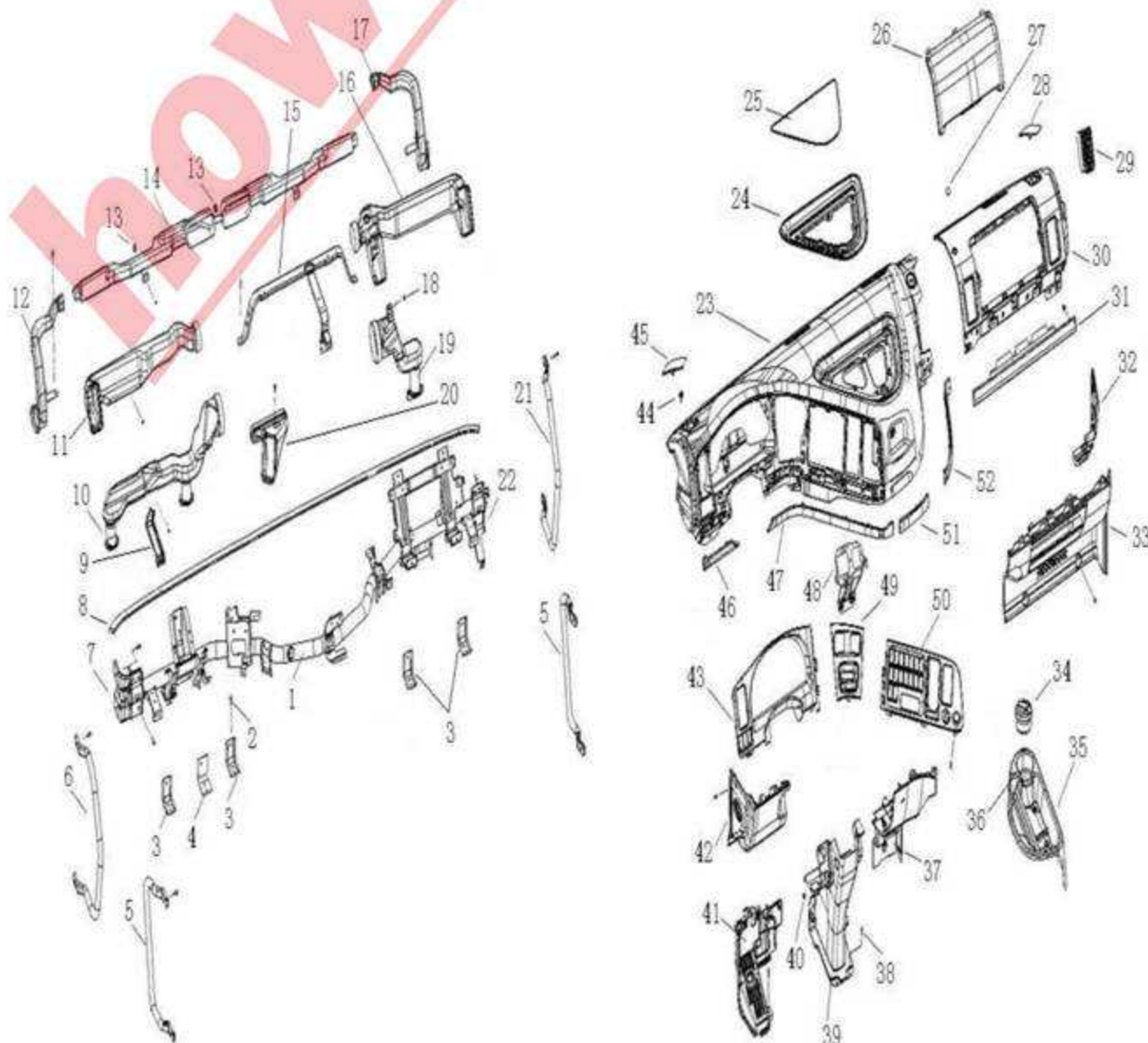
1.04 仪表台/Dashboard



1.04 仪表台/Dashboard

| 序号 | 零部件图号 | 名称 | Part Name | 数量 | 备注 |
|-----|--------------|--------------|--------------------------------|-----|--------|
| No. | Part No. | | | Qty | Remark |
| 41 | WG1642160236 | 搁脚台总成 | Foot rest | 1 | |
| 42 | WG1642160218 | 转向柱左侧下护面总成 | Protect cover -left | 1 | |
| 43 | WG1642160183 | 仪表板盖板总成 | Instrument cover | 1 | |
| 44 | AZ1642930011 | M6 带橡胶垫的组合螺栓 | Combination screw | 2 | |
| 45 | WG1642160238 | 仪表台左前部螺钉盖板 | Cover | 1 | |
| 46 | WG1642160232 | 转向柱左侧装饰条总成 | Panelling -left | 1 | |
| 47 | WG1642160234 | 转向柱右侧装饰条总成 | Right strip of steering column | 1 | |
| 48 | AZ1642160188 | 手制动阀固定支架 | Bracket of hand brake valve | 1 | |
| 49 | WG1642160186 | 手制动阀盖板总成 | Cover for hand brake | 1 | |
| 50 | WG1642160190 | 开关面板总成 | Switch panel | 1 | |
| 51 | WG1642160124 | 水杯架前端盖 | Cover - cup bracket | 1 | |
| 52 | WG1642160138 | 装饰条总成-中部 | Panelling -middle | 1 | |
| 53 | AZ1642930011 | M6 带橡胶垫的组合螺栓 | Combination screw | 1 | |
| 54 | WG1642160215 | 电器箱盖总成 | Cover | 1 | |
| 55 | WG1642160236 | 搁脚台总成 | Foot rest | 1 | |
| 56 | WG1642160177 | 副司机侧仪表台下护面总成 | Side cover | 1 | |
| 57 | WG1642160242 | 发动机罩储物盒 | Storage box | 1 | |
| 58 | WG1642160238 | 仪表台左前部螺钉盖板 | Cover | 1 | |
| 59 | AZ1642160181 | 地板支架总成 | Bracket | 4 | |
| 60 | WG1642930014 | 堵盖 | Cover | 1 | |

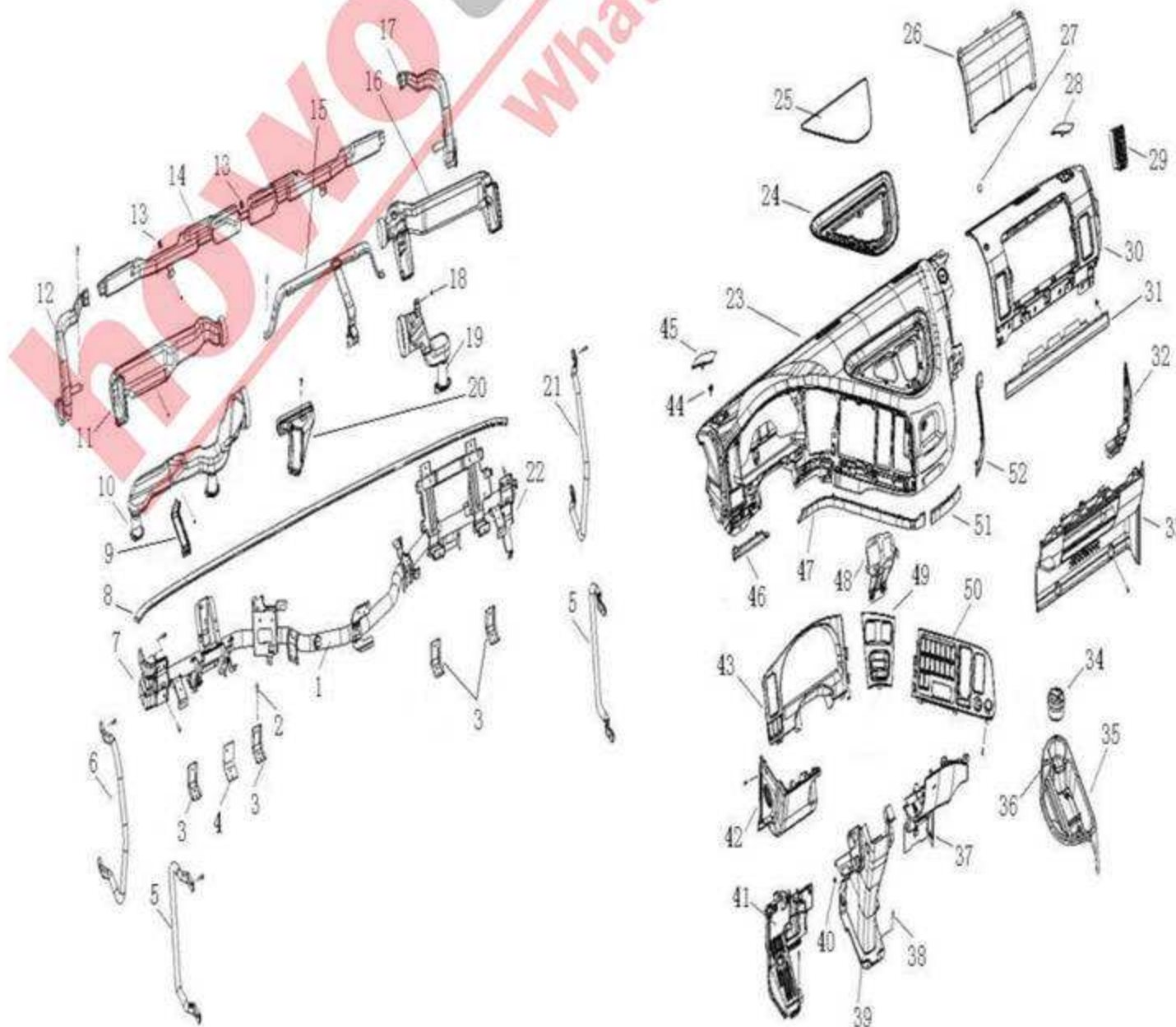
1.04 仪表台/Dashboard



1.04 仪表台/Dashboard

| 序号 | 零部件图号 | 名称 | Part Name | 数量 | 备注 |
|-----|--------------|---------|-------------------|-----|--------|
| No. | Part No. | | | Qty | Remark |
| 61 | Q2360620F31 | 组合件 | Combination screw | 1 | |
| 62 | Q2360620F31 | 组合件 | Combination screw | 1 | |
| 63 | Q340B06F31 | I型六角螺母 | Nut | 1 | |
| 64 | Q40306F31 | 弹簧垫圈 | Spring washer | 1 | |
| 65 | Q40206F31 | 大垫圈 | Washer | 1 | |
| 66 | Q2360620F31 | 组合件 | Combination screw | 1 | |
| 67 | Q2360620F31 | 组合件 | Combination screw | 2 | |
| 68 | Q2360620F31 | 组合件 | Combination screw | 1 | |
| 71 | Q2360620F31 | 组合件 | Combination screw | 4 | |
| 72 | Q2360620F31 | 组合件 | Combination screw | 2 | |
| 73 | Q40308F31 | 弹簧垫圈 | Spring washer | 2 | |
| 74 | WG1642930620 | 组合件 | Combination screw | 8 | |
| 75 | WG1642930620 | 组合件 | Combination screw | 3 | |
| 76 | WG1642930620 | 组合件 | Combination screw | 5 | |
| 77 | Q40205F31 | 大垫圈 | Washer | 3 | |
| 78 | Q2140516F31 | 十字槽盘头螺钉 | Screw | 1 | |
| 79 | Q40205F31 | 大垫圈 | Washer | 1 | |
| 80 | Q40305F31 | 弹簧垫圈 | Spring washer | 1 | |
| 81 | WG1642930620 | 组合件 | Combination screw | 1 | |
| 82 | WG1642930620 | 组合件 | Combination screw | 1 | |

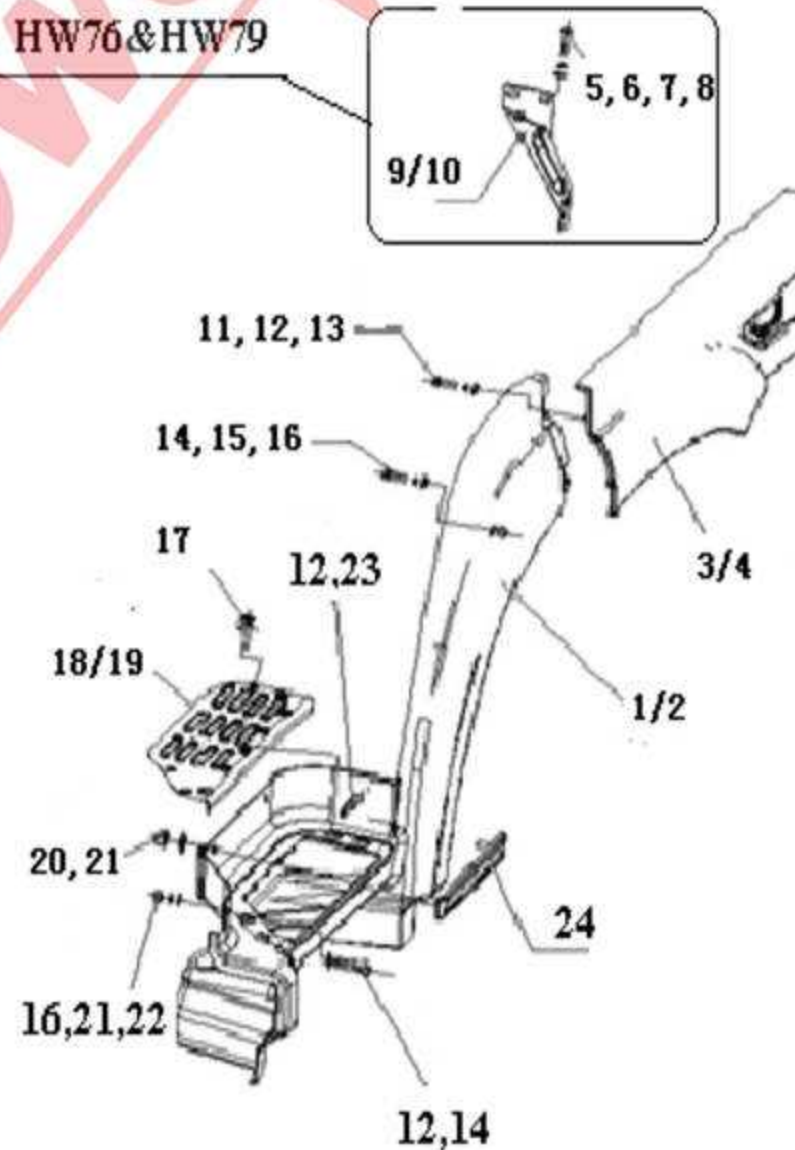
1.04 仪表台/Dashboard



1.04 仪表台/Dashboard

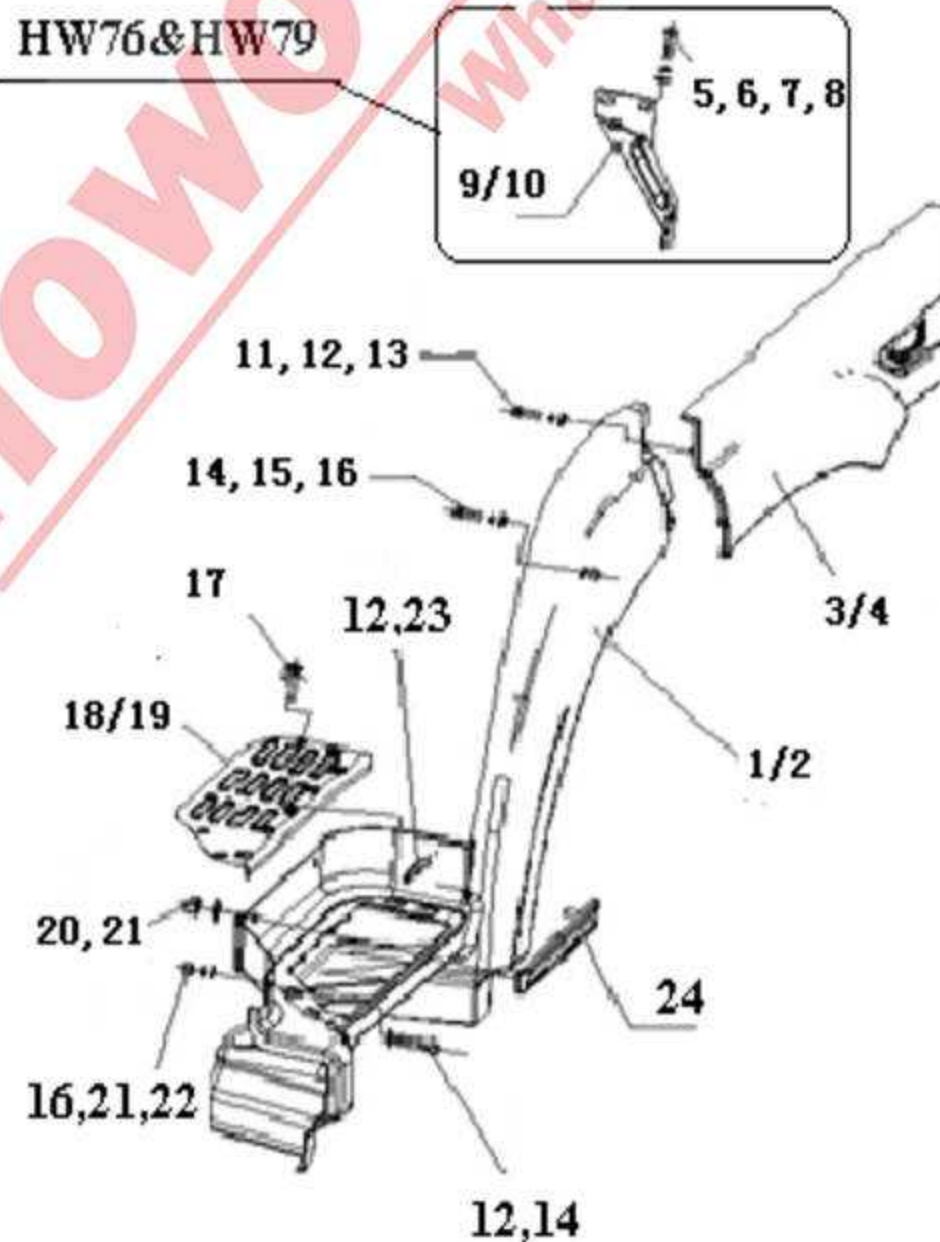
| 序号 | 零部件图号 | 名称 | Part Name | 数量 | 备注 |
|-----|--------------|-----------|-------------------|-----|--------|
| No. | Part No. | | | Qty | Remark |
| 83 | Q39748202F31 | 簧片螺母 | Nut | 2 | |
| 84 | Q2140820F31 | 十字槽盘头螺钉 | Screw | 1 | |
| 85 | WG1642930620 | 组合件 | Combination screw | 3 | |
| 86 | Q2714816F31 | 十字槽盘头自攻螺钉 | Screw | 3 | |
| 87 | WG1642930620 | 组合件 | Combination screw | 2 | |
| 88 | Q40106F31 | 平垫圈 | Washer | 2 | |
| 89 | Q40306F31 | 弹簧垫圈 | Spring washer | 2 | |
| 90 | Q2140620F31 | 十字槽盘头螺钉 | Screw | 2 | |
| 93 | Q40205F31 | 大垫圈 | Washer | 1 | |
| 94 | Q2140516F31 | 十字槽盘头螺钉 | Screw | 1 | |
| 95 | Q40306F31 | 弹簧垫圈 | Spring washer | 2 | |
| 96 | Q40106F31 | 平垫圈 | Washer | 2 | |
| 97 | Q2140620F31 | 十字槽盘头螺钉 | Screw | 2 | |
| 98 | WG1642930620 | 组合件 | Combination screw | 3 | |
| 99 | Q40305F31 | 弹簧垫圈 | Spring washer | 1 | |
| 100 | Q40105F31 | 平垫圈 | Washer | 1 | |
| 101 | Q2140516F31 | 十字槽盘头螺钉 | Screw | 1 | |
| 102 | WG1642930620 | 组合件 | Combination screw | 8 | |
| | | | | | |
| | | | | | |

1.05 中长驾驶室翼子板/Fender



| 1.05 中长驾驶室翼子板/Fender | | | | | |
|----------------------|--------------|--------------|--------------------------|-----|--------|
| 序号 | 零部件图号 | 名称 | Part Name | 数量 | 备注 |
| No. | Part No. | | | Qty | Remark |
| 1 | WG1642230105 | 左前翼子板前段总成 | Fender ass. -left front | 1 | |
| 2 | WG1642230106 | 右前翼子板前段总成 | Fender ass. -right front | 1 | |
| 3 | WG1642230107 | 左前翼子板后段总成 | Fender ass. -left rear | 1 | |
| 4 | WG1642230108 | 右前翼子板后段总成 | Fender ass. -right rear | 1 | |
| 5 | Q150B1030F31 | 六角头螺栓 | Screw | 4 | |
| 6 | Q40210F31 | 大垫圈 | Washer | 10 | |
| 7 | Q40310F31 | 弹簧垫圈 | Spring washer | 4 | |
| 8 | Q340B10F31 | 六角螺母 | Nut | 4 | |
| 9 | WG1642230121 | 左连接支架 | Bracket - left | 1 | |
| 10 | WG1642230122 | 右连接支架 | Bracket - right | 1 | |
| 11 | Q40206F31 | 大垫圈 | Washer | 6 | |
| 12 | Q2714816F31 | 十字槽盘头自攻螺钉 | Screw | 6 | |
| 13 | Q40006F31 | 小垫圈 | Washer | 36 | |
| 14 | Q150B0625F31 | 六角头螺栓 | Screw | 12 | |
| 15 | Q40106F31 | 平垫圈 | Washer | 12 | |
| 16 | Q40306F31 | 弹簧垫圈 | Spring washer | 32 | |
| 17 | Q2540830F31 | 十字槽沉头螺钉 | Screw | 8 | |
| 18 | WG1642230109 | 左防滑板 | Antiskid plate -left | 1 | |
| 19 | WG1642230110 | 右防滑板 | Antiskid plate -right | 1 | |
| 20 | Q33210F31 | II型全金属六角锁紧螺母 | Nut | 4 | |

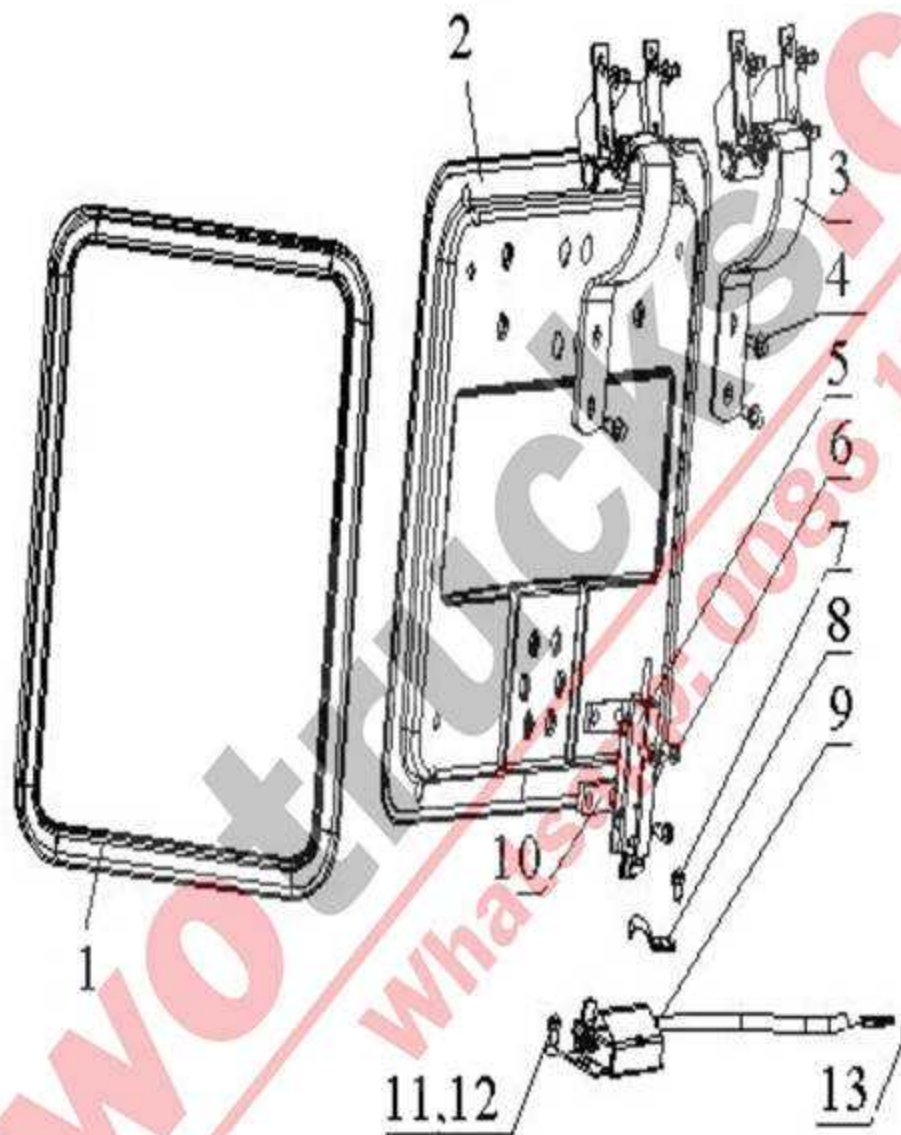
1.05 中长驾驶室翼子板/Fender



1.05 中长驾驶室翼子板/Fender

| 序号 | 零部件图号 | 名称 | Part Name | 数量 | 备注 |
|-----|--------------|----------|-----------|-----|--------|
| No. | Part No. | | | Qty | Remark |
| 21 | Q40110F31 | 平垫圈 | Washer | 4 | |
| 22 | Q340B06F31 | I型六角螺母 | Nut | 10 | |
| 23 | Q150B0630F31 | 六角头螺栓 | Screw | 2 | |
| 24 | WG1642230041 | 前翼子板压条总成 | Strip | 2 | |
| 25 | WG1642230115 | 灯口盖 | Cover | 2 | |

1.06 驾驶室工具箱/Tool Box

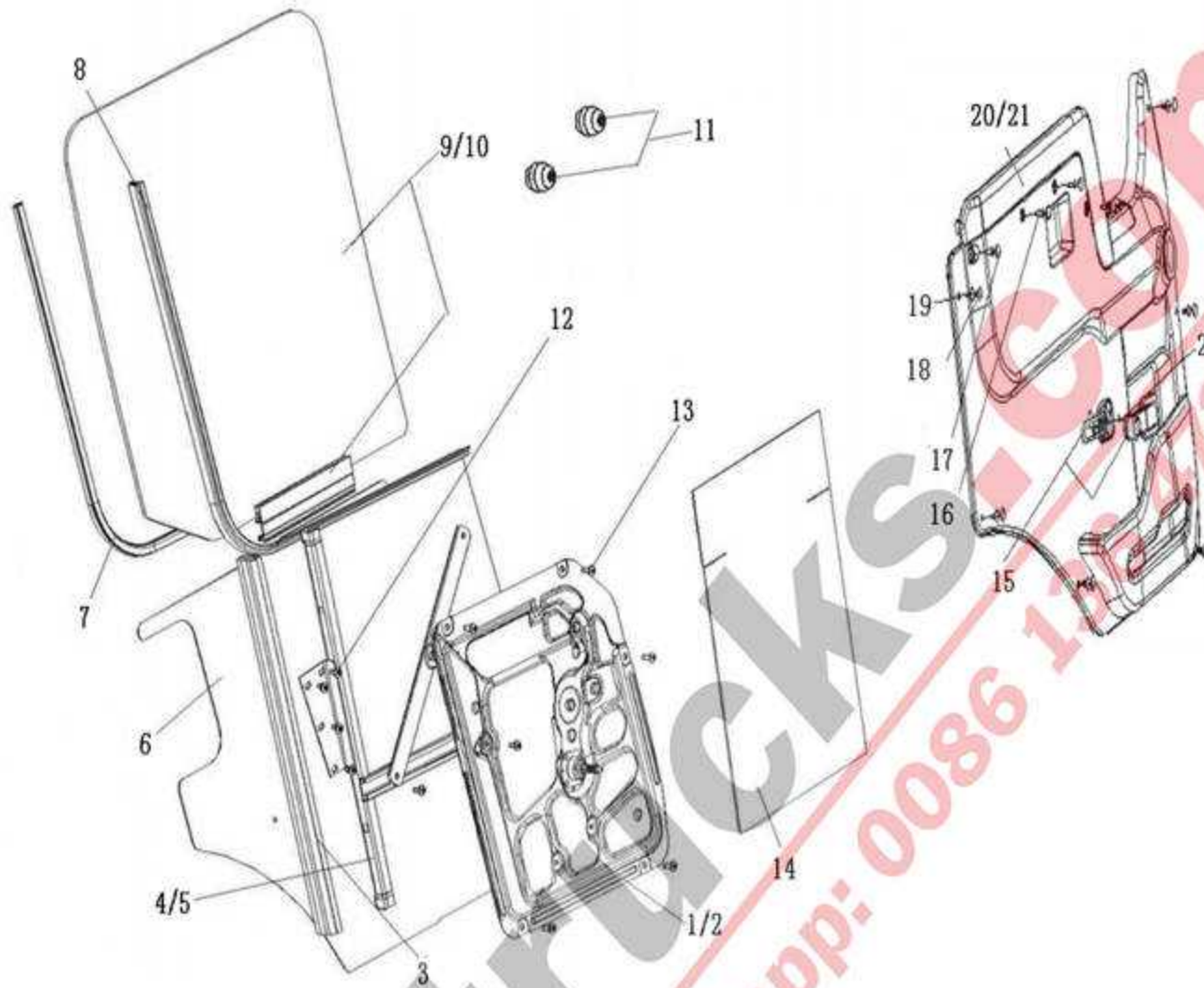


1.06 驾驶室工具箱/Tool Box

| 序号 | 零部件图号 | 名称 | Part Name | 数量 | 备注 |
|-----|--------------|-----------|---------------|-----|--------|
| No. | Part No. | | | Qty | Remark |
| 1 | WG1642290006 | 工具箱密封条 | Sealing strip | 1 | |
| 2 | WG1642770006 | 顶窗盖板焊接总成 | Cover ass. | 1 | |
| 3 | WG1642290002 | 工具箱铰链总成 | Hinge ass. | 2 | |
| 4 | Q1840612 | 六角法兰面螺栓 | Screw | 12 | |
| 5 | WG1642290005 | 工具箱锁销总成 | Lock pin ass. | 1 | |
| 6 | Q218B0612 | 内六角圆柱头螺钉 | Screw | 4 | |
| 7 | Q218B0616 | 内六角圆柱头螺钉 | Screw | 2 | |
| 8 | Q68208 | 一端固定式单管夹片 | Clip | 1 | |
| 9 | WG1642290003 | 工具箱锁总成 | Lock ass. | 1 | |

| | | | | | |
|----|--------------|-----------|-----------|---|--|
| 10 | WG1642290004 | 垫板 | Plate | 2 | |
| 11 | Q2714816F31 | 十字槽盘头自攻螺钉 | Screw | 1 | |
| 12 | Q40205 | 大垫圈 | Washer | 1 | |
| 13 | WG1642290007 | 工具箱锁拉环 | Lock ring | 1 | |

1.07 驾驶室车门附件/Door Accessories

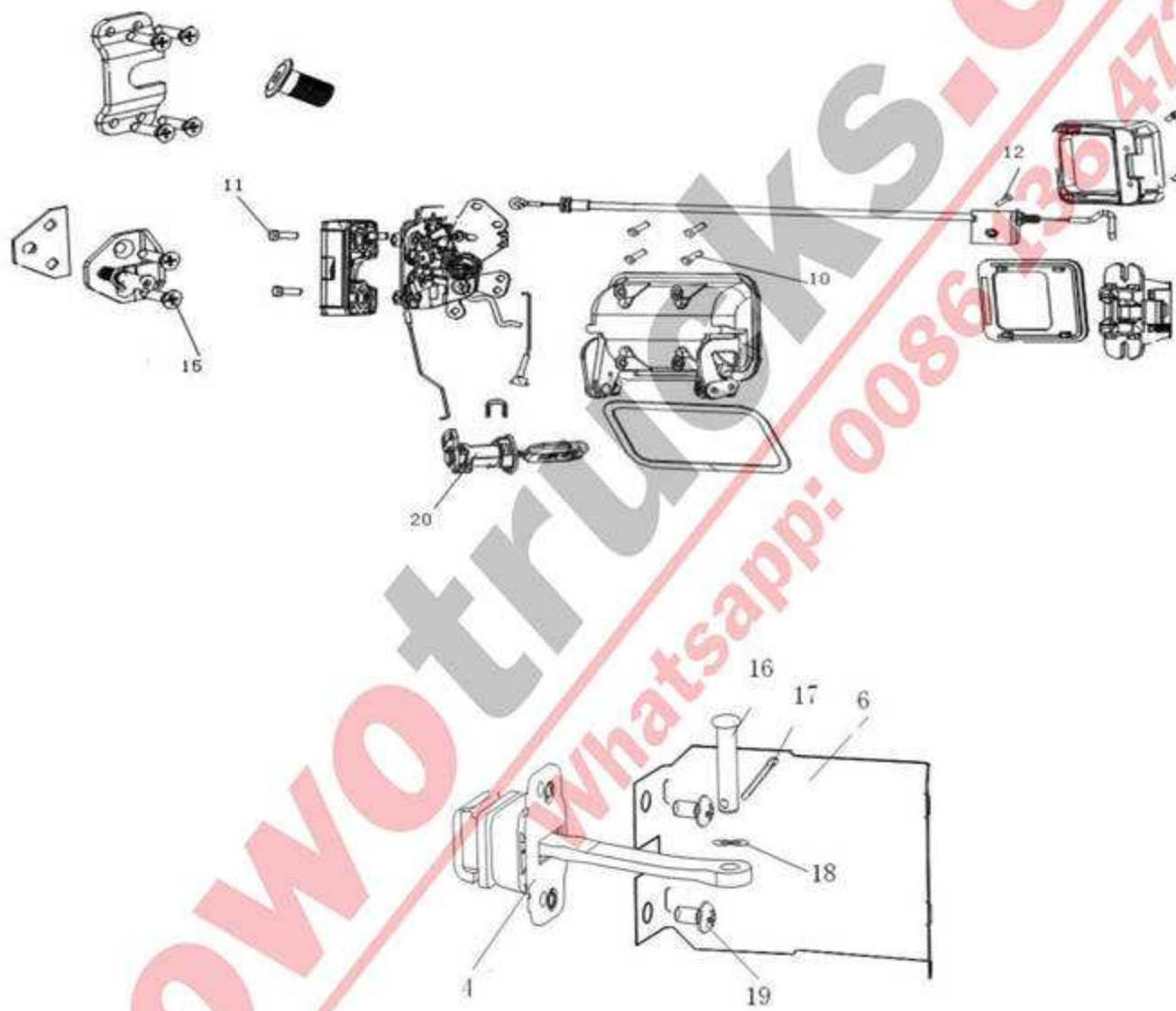


1.07 驾驶室车门附件/Door Accessories

| 序号 | 零部件图号 | 名称 | Part Name | 数量 | 备注 |
|-----|--------------|----------|------------------------|-----|--------|
| No. | Part No. | | | Qty | Remark |
| 1 | WG1642330003 | 左玻璃升降器总成 | Window lifter -left | 1 | |
| 2 | WG1642330004 | 右玻璃升降器总成 | Window lifter -right | 1 | |
| 3 | WG1642330015 | 滑槽密封条 | Sealing strip | 2 | |
| 4 | WG1642330009 | 左玻璃滑槽 | Glass guide -left | 1 | |
| 5 | WG1642330010 | 右玻璃滑槽 | Glass guide -right | 1 | |
| 6 | AZ1642330019 | 车门保护层 | Protection | 4 | |
| 7 | WG1642330013 | 外密封条 | Sealing strip- outside | 2 | |
| 8 | WG1642330011 | 内密封条 | Sealing strip- inside | 2 | |
| 9 | WG1642330060 | 左车门玻璃总成 | Door glass -left | 1 | |
| 10 | WG1642330061 | 右车门玻璃总成 | Door glass -right | 1 | |
| 11 | AZ1642930050 | 橡胶堵塞 | Plug | 2 | |
| 12 | Q2140610 | 十字槽盘头螺钉 | Screw | 4 | |

| | | | | | |
|----|--------------|-----------|-----------------------------|----|--|
| 13 | Q2140612 | 十字槽盘头螺钉 | Screw | 18 | |
| 14 | AZ1642330051 | 薄膜 | Plasticon | 2 | |
| 15 | WG1642330001 | 把手 | Handle | 2 | |
| 16 | Q2140620 | 十字槽盘头螺钉 | Screw | 12 | |
| 17 | WG1642930007 | 螺钉罩盖 | Cover | 8 | |
| 18 | WG1642930006 | 塑料开尾铆钉 2 | Rivet | 14 | |
| 19 | WG1642930005 | 塑料开尾铆钉 1 | Rivet | 14 | |
| 20 | WG1642330020 | 门内护板总成-左门 | Internal lining -left door | 1 | |
| 21 | WG1642330040 | 门内护板总成-右门 | Internal lining -right door | 1 | |
| 22 | Q43108 | 轴用弹性挡圈 | Ring | 4 | |

1.08 门锁/Door Lock

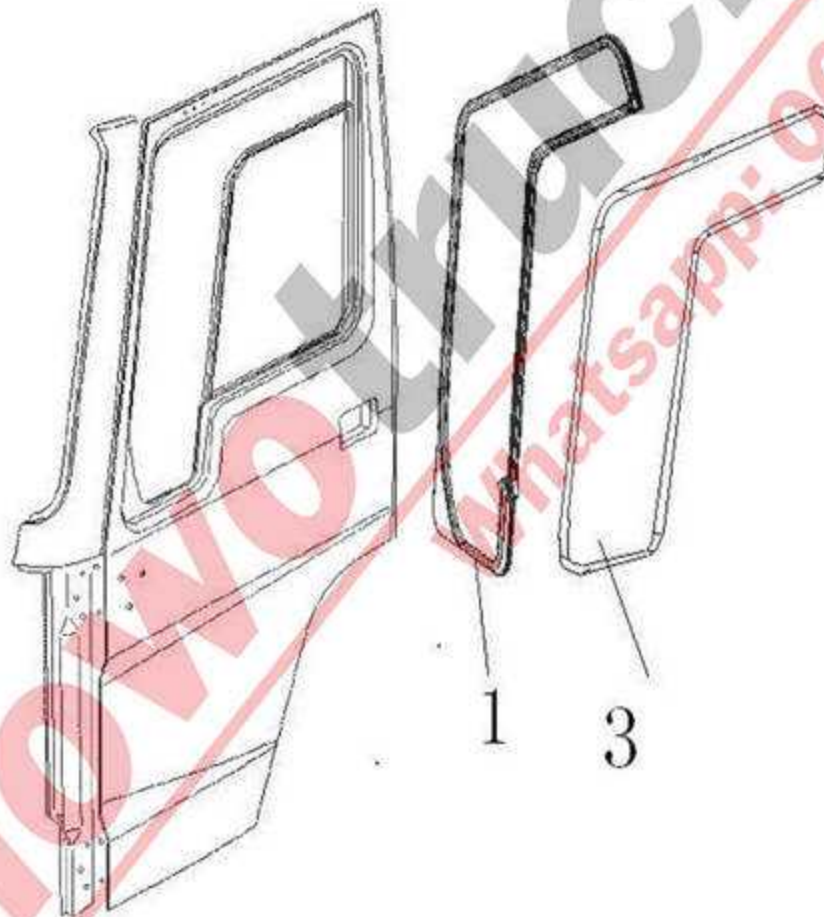


1.08 门锁/Door Lock

| 序号 No. | 零部件图号 Part No. | 名称 | Part Name | 数量 Qty | 备注 Remark |
|-----------|-------------------|-----------|------------|-----------|--------------|
| 4 | WG1642340026 | 限位拉带总成 | Strip ass. | 1 | |
| 6 | WG1642340027 | 限位拉带固定板 | Plate | 1 | |
| 8 | Q2714813 | 十字槽盘头自攻螺钉 | Screw | 2 | |
| 9 | Q40205 | 大垫圈 | Washer | 2 | |
| 10 | Q150B0616 | 六角头螺栓 | Screw | 4 | |

| | | | | | |
|----|------------------|--------------------|---------------------------------------|----|--|
| 11 | Q2540830 | 十字槽沉头螺钉 | Screw | 4 | |
| 12 | Q150B0612 | 六角头螺栓 | Screw | 2 | |
| 14 | AZ9007990271 | 螺纹防松胶 | Thread against pine glue | 1 | |
| 15 | Q2540820 | 十字槽沉头螺钉 | Screw | 12 | |
| 16 | Q5100835 | 销轴 | Shaft | 2 | |
| 17 | Q5002526 | 开口销 | Split pin | 2 | |
| 18 | Q41806 | 波形垫片 | Washer | 4 | |
| 19 | Q2140612 | 十字槽盘头螺钉 | Screw | 4 | |
| 20 | WG1642341010 | 门锁+油箱盖+点火锁芯总成 | Lock ass. | 1 | |
| | | | door lock+fuel tank cover+startup key | | |
| 24 | WG1642341010+001 | 左/右门锁芯+点火锁芯+油箱盖+钥匙 | core | 1 | |
| 25 | 190003171356 | 塑料紧固带 | Fastener | 2 | |
| | | | | | |
| | | | | | |
| | | | | | |
| | | | | | |

1.09 中长驾驶室角窗/Corner Window

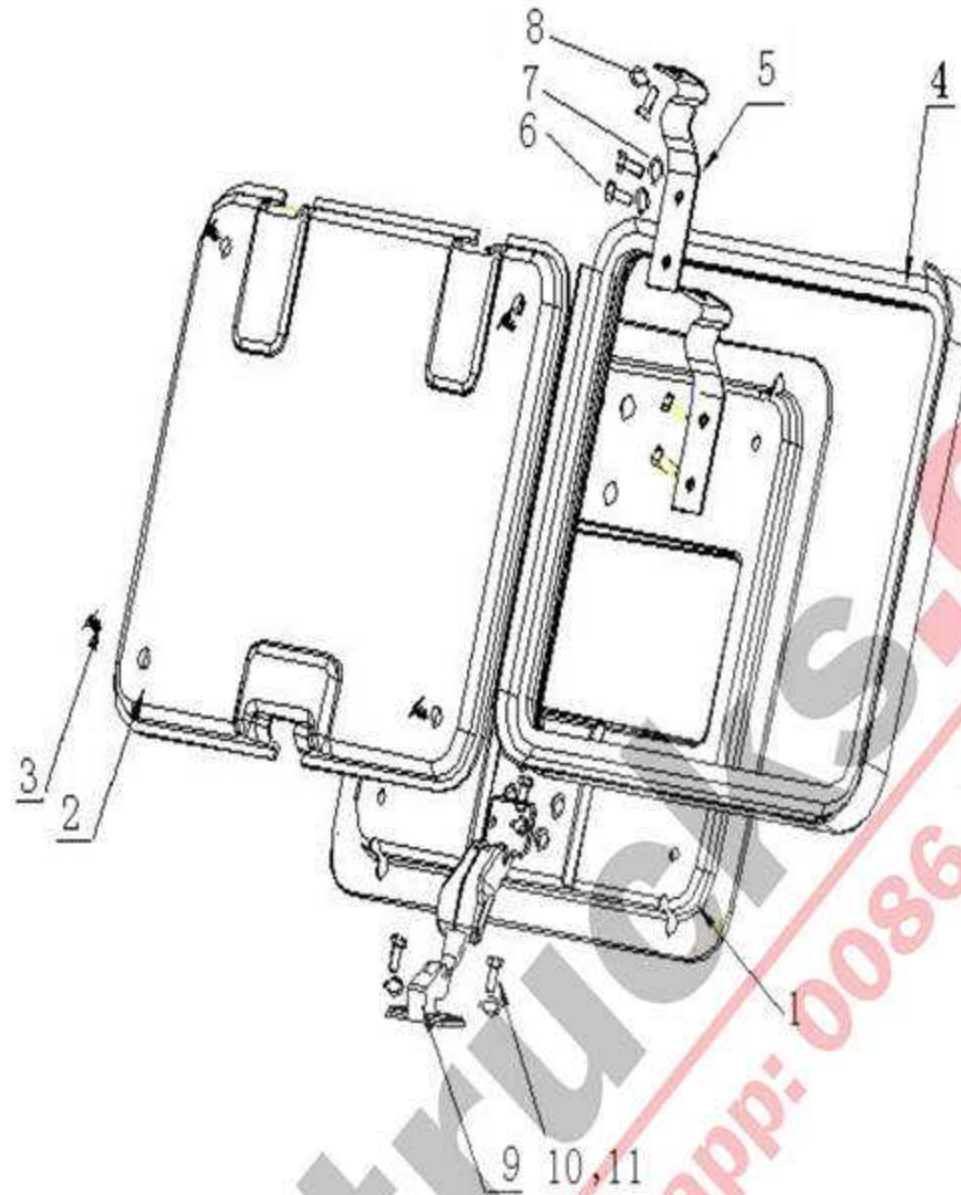


1.09 中长驾驶室角窗/Corner Window

| 序号 | 零部件图号 | 名称 | Part Name | 数量 | 备注 |
|-----|--------------|----------|---------------------|-----|--------|
| No. | Part No. | | | Qty | Remark |
| 1 | WG1642350001 | 左角窗玻璃密封条 | Sealing strip-left | 1 | |
| 3 | WG1642350003 | 左角窗玻璃 | Glass -left | 1 | |
| 5 | WG1642350002 | 右角窗玻璃密封条 | Sealing strip-right | 1 | |

| | | | | | |
|---|--------------|--------------|--------------|---|--|
| 7 | WG1642350004 | 右角窗玻璃（与左件对称） | Glass -right | 1 | |
| 9 | AZ1642330110 | 丙烯酸快干胶 | Glue | 1 | |
| — | — | — | — | — | |

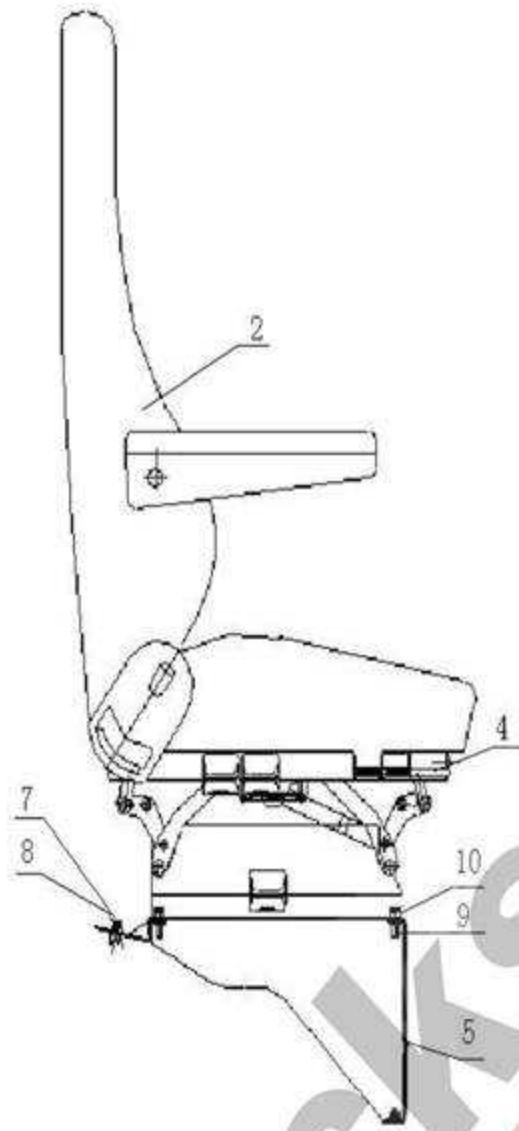
1.10 顶窗盖装置/Roof Hatch



1.10 顶窗盖装置/Roof Hatch

| 序号 | 零部件图号 | 名称 | Part Name | 数量 | 备注 |
|-----|--------------|----------|----------------|-----|--------|
| No. | Part No. | | | Qty | Remark |
| 1 | WG1642770006 | 顶窗盖板焊接总成 | Cover ass. | 1 | |
| 2 | WG1642770008 | 顶窗盖内护面 | Roof panelling | 1 | |
| 3 | WG1642770005 | 铆钉 | Rivet | 4 | |
| 4 | WG1642770009 | 顶窗密封条 | Sealing | 1 | |
| 5 | WG1642770011 | 铰链 | Hinge | 2 | |
| 6 | Q2140620F31 | 十字槽盘头螺钉 | Screw | 6 | |
| 7 | Q40206F31 | 大垫圈 | Washer | 6 | |
| 8 | WG1642930021 | 垫圈 | Washer | 2 | |
| 9 | WG1642770007 | 开关机构总成 | Switch | 1 | |
| 10 | Q2140620F31 | 十字槽盘头螺钉 | Screw | 4 | |
| 11 | Q40206F31 | 大垫圈 | Washer | 4 | |

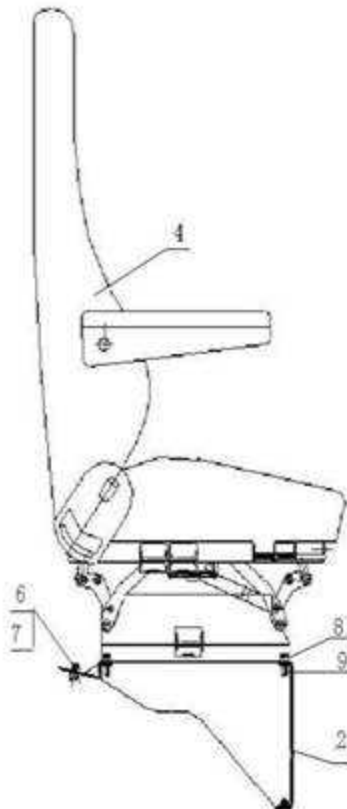
1.11 驾驶员座椅（高靠背）/Driver's seat



1.11 驾驶员座椅（高靠背）/Driver's seat

| 序号 No. | 零部件图号 Part No. | 名称 Part Name | 数量 Qty | 备注 Remark |
|-----------|-------------------|----------------------------------|-----------|--------------|
| 2 | WG1642510005 | HOWO 左座椅总成 Driver's seat | 1 | |
| 4 | WG1642510005+001 | 座椅气囊开关 Switch for seat airbag | 1 | |
| 5 | WG1642510003 | HOWO 座椅座盒总成 Seat base | 1 | |
| 7 | AZ1642930020 | 垫圈 Washer | 4 | |
| 8 | Q341B10 | 1 型六角螺母-细牙 Nut | 4 | |
| 9 | Q40010 | 小垫圈 Washer | 4 | |
| 10 | 190003862130 | 内六角圆柱头螺钉 Screw | 4 | |

1.12 副驾驶员座椅（高靠背）/Co-driver's seat



1.12 副驾驶员

Co-driver's seat

| 序号 | 零部件图号 | 名称 | Part Name | 数量 | 备注 |
|-----|--------------|-------------|------------|-----|--------|
| No. | Part No. | | | Qty | Remark |
| 2 | WG1642510003 | HOWO 座椅座盒总成 | Seat base | 1 | |
| 4 | WG1642510006 | HOWO 右座椅总成 | Right seat | 1 | |
| 6 | AZ1642930020 | 垫圈 | Washer | 4 | |
| 7 | Q341B10 | 1 型六角螺母-细牙 | Nut | 4 | |
| 8 | Q40010 | 小垫圈 | Washer | 4 | |
| 9 | 190003862130 | 内六角园柱头螺钉 | Screw | 4 | |

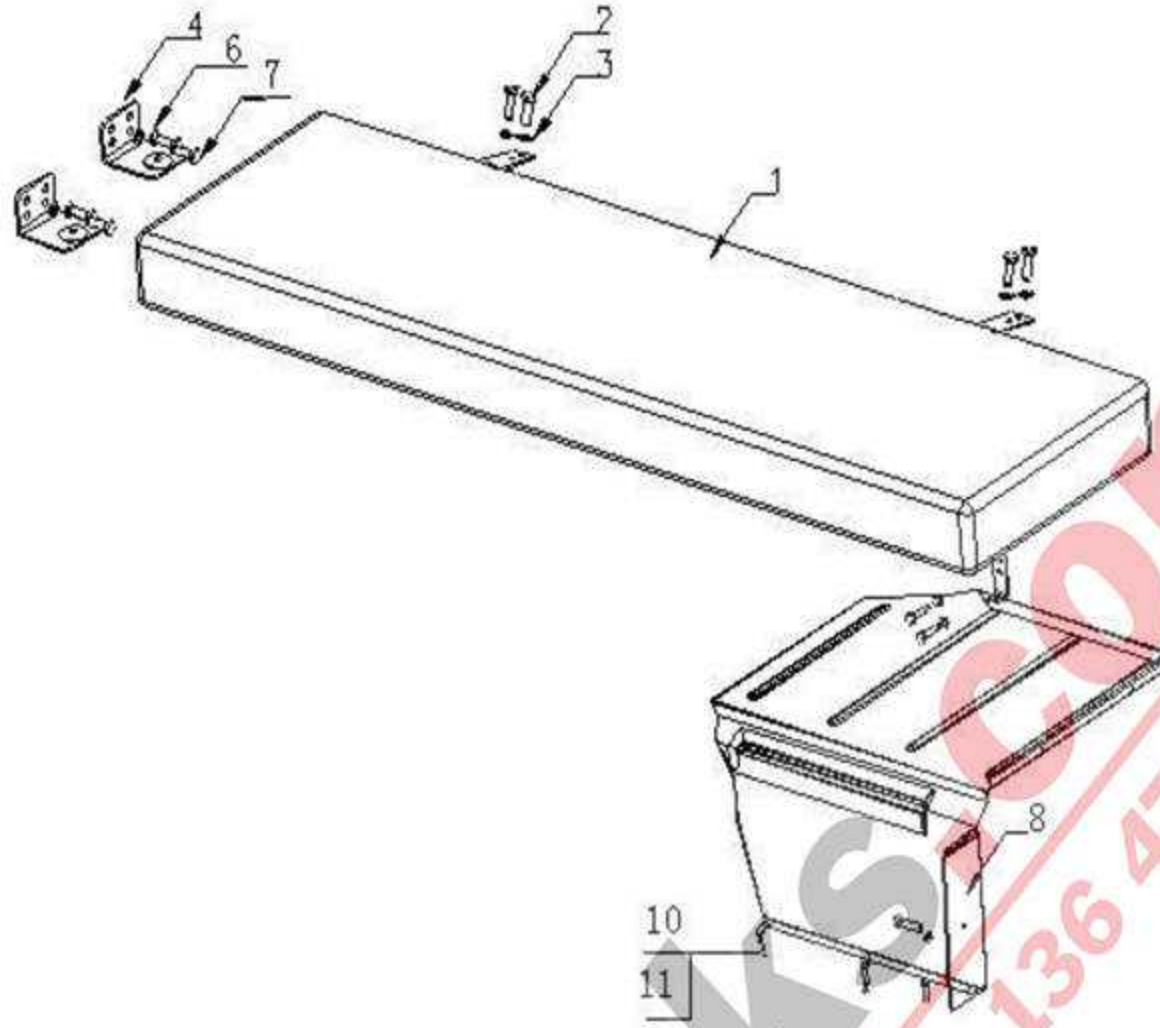
1.13 HOWO 中长驾驶室安全带/Safety Belt



1.13 HOWO 中长驾驶室安全带/Safety Belt

| 序号 | 零部件图号 | 名称 | Part Name | 数量 | 备注 |
|-----|--------------|---------------|-------------|-----|--------|
| No. | Part No. | | | Qty | Remark |
| 1 | WG1642560010 | HOWO 中长驾驶室安全带 | Safety belt | 2 | |

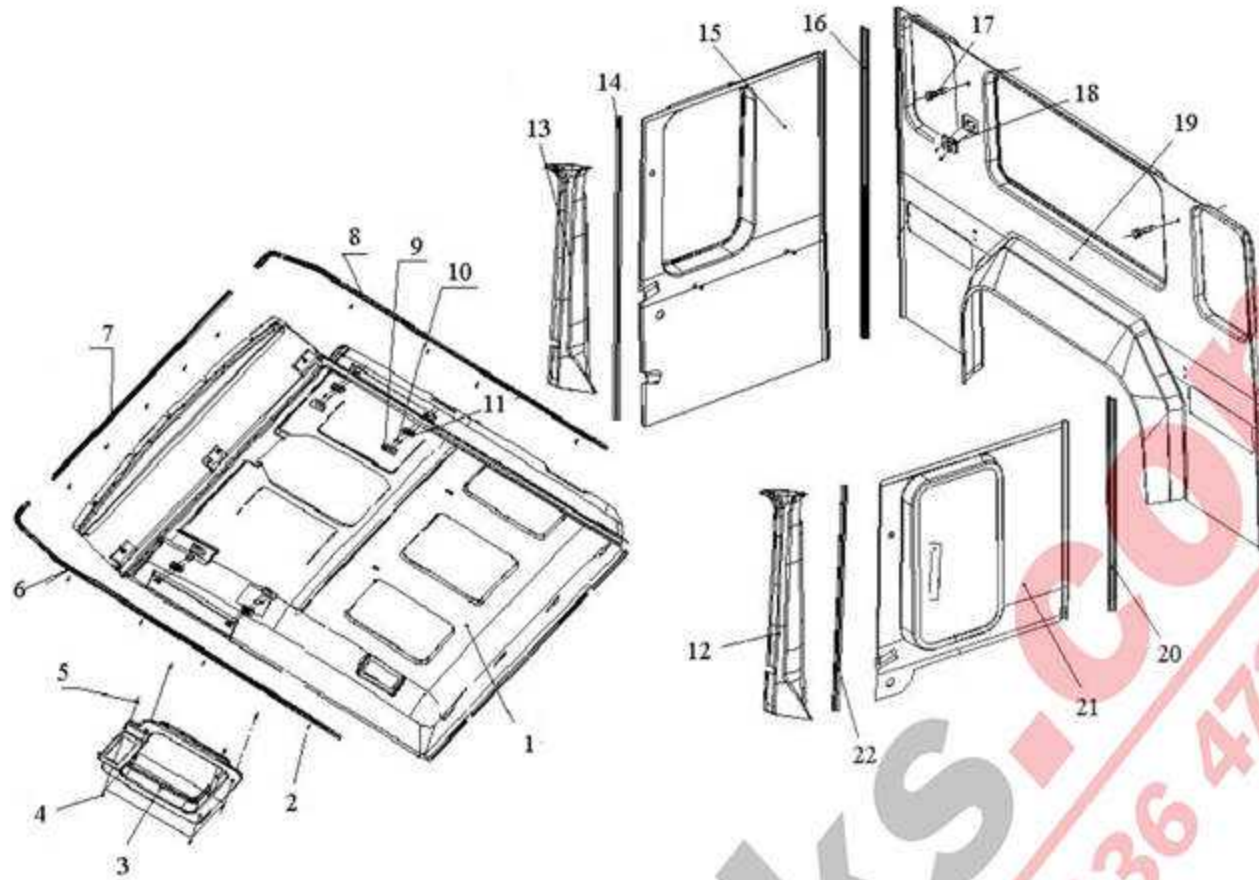
1.14 中长驾驶室卧铺/Sleeper



1.14 中长驾驶室卧铺/Sleeper

| 序号 No. | 零部件图号 Part No. | 名称 Name | Part Name | 数量 Qty | 备注 Remark |
|-----------|-------------------|------------|------------------------|-----------|--------------|
| 1 | AZ1643570001 | 卧铺总成 | Sleeper | 1 | |
| 2 | Q150B0825 | 六角头螺栓 | Screw | 4 | |
| 3 | Q40008 | 小垫圈 | Washer | 4 | |
| 4 | WG1643570008 | 卧铺右支腿总成 | Sleeper Support -right | 2 | |
| 6 | Q150B0625 | 六角头螺栓 | Screw | 4 | |
| 7 | Q40006 | 小垫圈 | Washer | 4 | |
| 8 | WG1643570010 | 卧铺支撑总成 | Sleeper support | 1 | |
| 10 | Q2714225 | 十字槽盘头自攻螺钉 | Screw | 3 | |
| 11 | Q40004 | 小垫圈 | Washer | 3 | |
| | | | | | |
| | | | | | |

1.15 HW76 带后窗内饰/Internal Lining For Cab with Rear Window

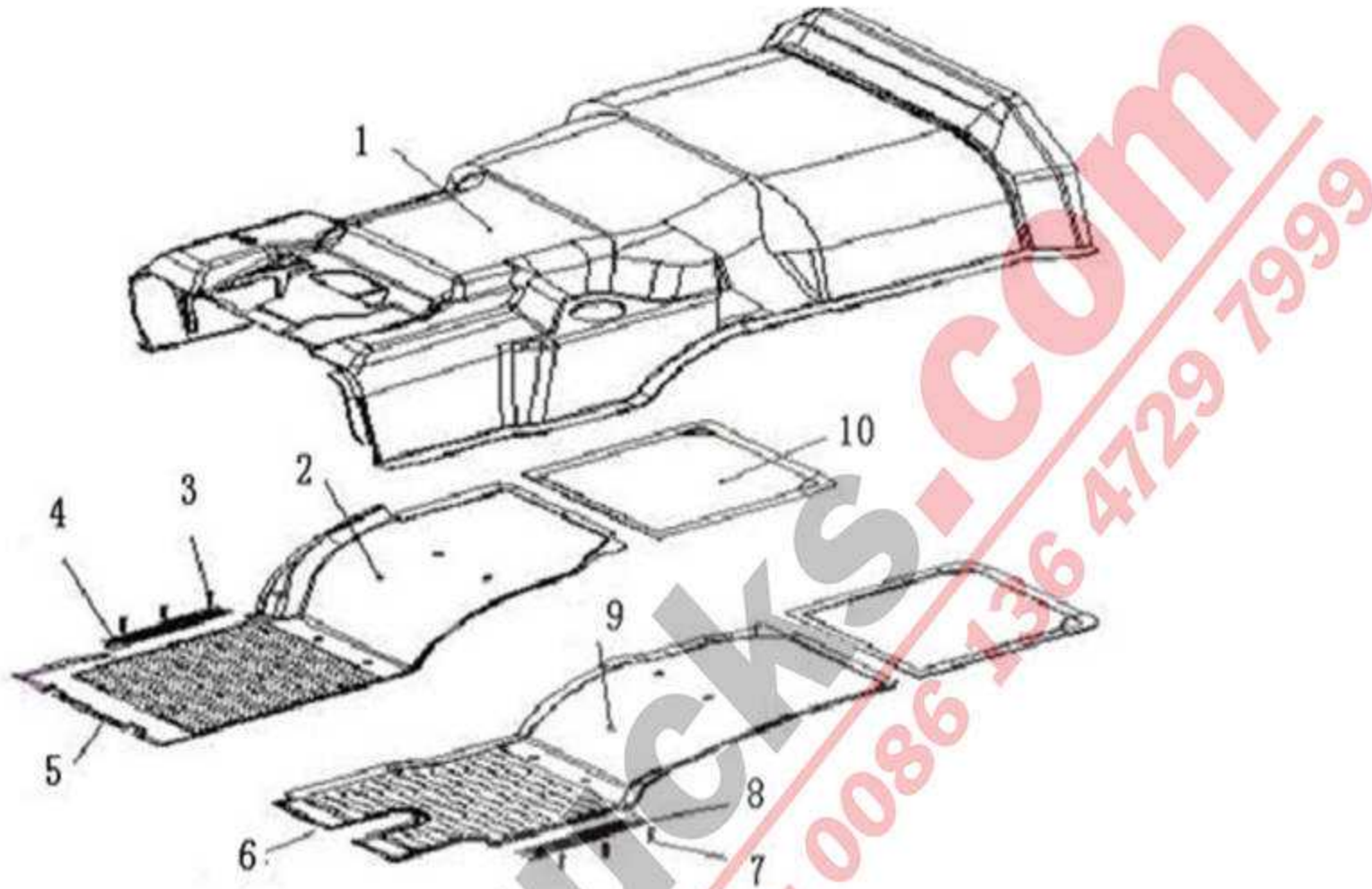


1.15 HW76 带后窗内饰/Internal Lining For Cab with Rear Window

| 序号 | 零部件图号 | 名称 | Part Name | 数量 | 备注 |
|-----|--------------|-----------|---------------------------|-----|--------|
| No. | Part No. | | | Qty | Remark |
| 1 | WG1642610001 | 驾驶室顶盖内衬总成 | Roof Panelling | 1 | |
| 2 | Q2713519 | 十字槽盘头自攻螺钉 | Screw | 17 | |
| 3 | WG1642610018 | 顶窗盖护框 | Frame | 1 | |
| 4 | Q2714216 | 十字槽盘头自攻螺钉 | Screw | 4 | |
| 5 | AZ1642610014 | 顶窗螺母座 | Nut | 4 | |
| 6 | WG1642610004 | 左窗帘导轨 | Curtain Guide -left | 1 | |
| 7 | WG1642610032 | 前窗帘导轨总成 | Guide for front curtain | 1 | |
| 8 | WG1642610003 | 右窗帘导轨 | Curtain Guide -right | 1 | |
| 9 | WG1642610017 | 扶手孔盖 | Cover for handle | 4 | |
| 10 | Q2714219 | 十字槽盘头自攻螺钉 | Screw | 8 | |
| 11 | WG1642610016 | 扶手孔盖支座 | Support seat | 4 | |
| 12 | WG1642610011 | 左 A 立柱内护面 | "A" pole panelling -left | 1 | |
| 13 | WG1642610012 | 右 A 立柱内护面 | "A" pole panelling -right | 1 | |
| 14 | WG1642610029 | 右侧围门框压条 | Strap -right | 1 | |
| 15 | WG1642610009 | 右侧围内衬 | Panelling -right | 1 | |
| 16 | WG1642610010 | 右侧后围压条 | Strap -right rear | 1 | |
| 17 | 190003172951 | 塑料开尾铆钉 | Rivet | 2 | |
| 18 | WG1642610006 | 后围内衬 | Rear panelling | 1 | |
| 19 | WG1642610008 | 左侧后围压条 | Strap -left rear | 1 | |
| 20 | WG1642610007 | 左侧围内衬 | Panelling -left | 1 | |
| 21 | WG1642610028 | 左侧围门框压条 | Strap -left | 1 | |

| | | | | | |
|----|--------------|-------------|----------------------------|---|--|
| 22 | WG1642610013 | 车门密封条 | Sealing strip | 2 | |
| 23 | 116000770023 | 挂衣钩 | Hook | 2 | |
| 24 | WG1642610019 | 拉带 | Strap | 1 | |
| 25 | AZ1642610050 | HOWO 窗帘安装组件 | Assembly parts for curtain | 1 | |

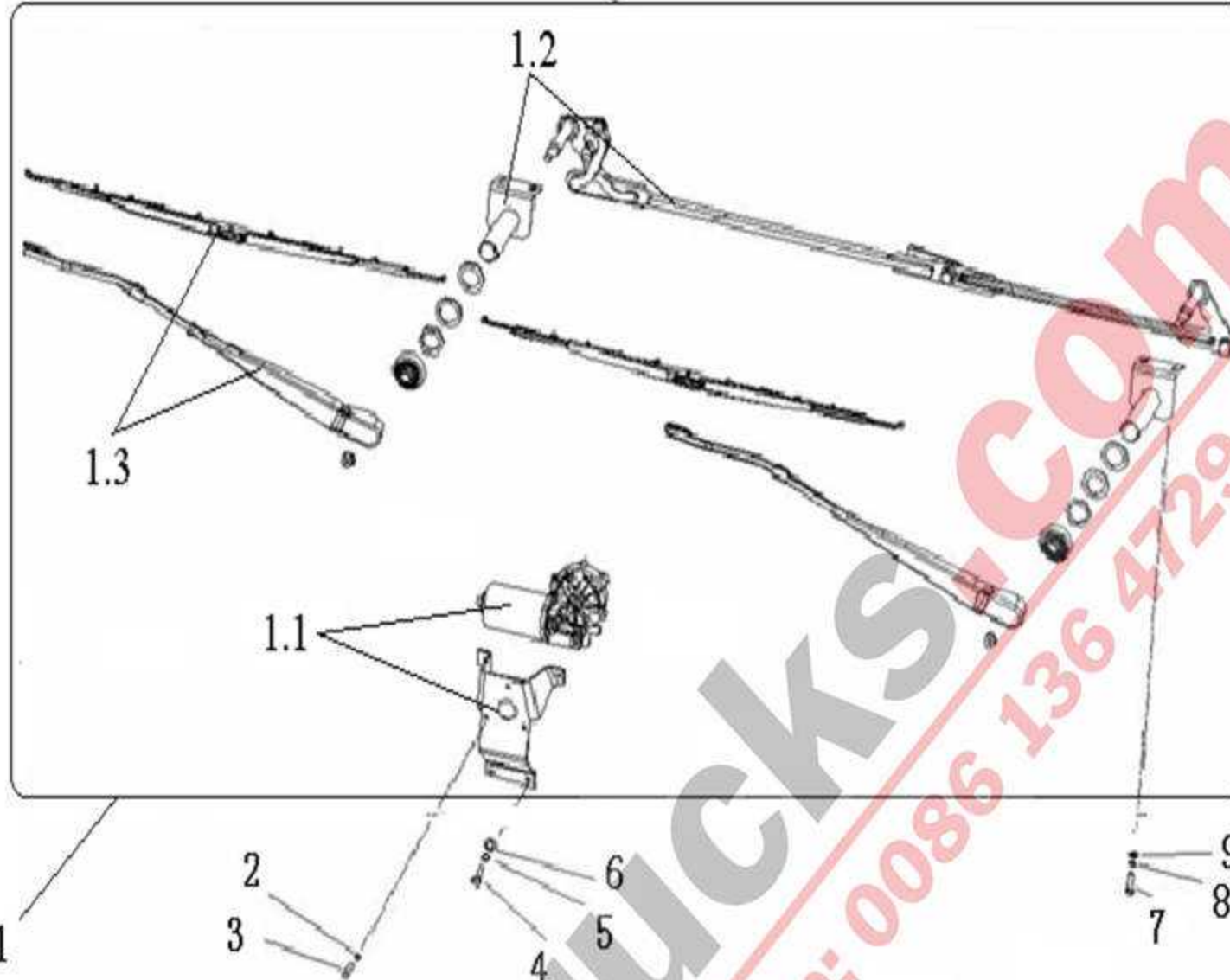
1.16 驾驶室地板垫/Floor Lining



1.16 驾驶室地板垫/Floor Lining

| 序号 | 零部件图号 | 名称 | Part Name | 数量 | 备注 |
|-----|--------------|-----------|-------------------------------|-----|--------|
| No. | Part No. | | | Qty | Remark |
| 1 | WG1642620005 | 发动机罩衬垫 | Carpet for engine hood | 1 | |
| 2 | WG1642620002 | 右地板垫 | Floor lining -right | 1 | |
| 3 | Q2744222F31 | 十字槽沉头自攻螺钉 | Screw | 20 | |
| 4 | WG1642620007 | 右门槛总成 | Sill -right | 1 | |
| 5 | WG1642620010 | 右隔热地板垫 | Heat insulation lining -right | 1 | |
| 6 | WG1642620013 | 左隔热地板垫 | Heat insulation lining -left | 1 | |
| 7 | Q2744222F31 | 十字槽沉头自攻螺钉 | Screw | 20 | |
| 8 | WG1642620006 | 左门槛总成 | Sill -left | 1 | |
| 9 | WG1642620011 | 左地板垫 | Floor lining -left | 1 | |

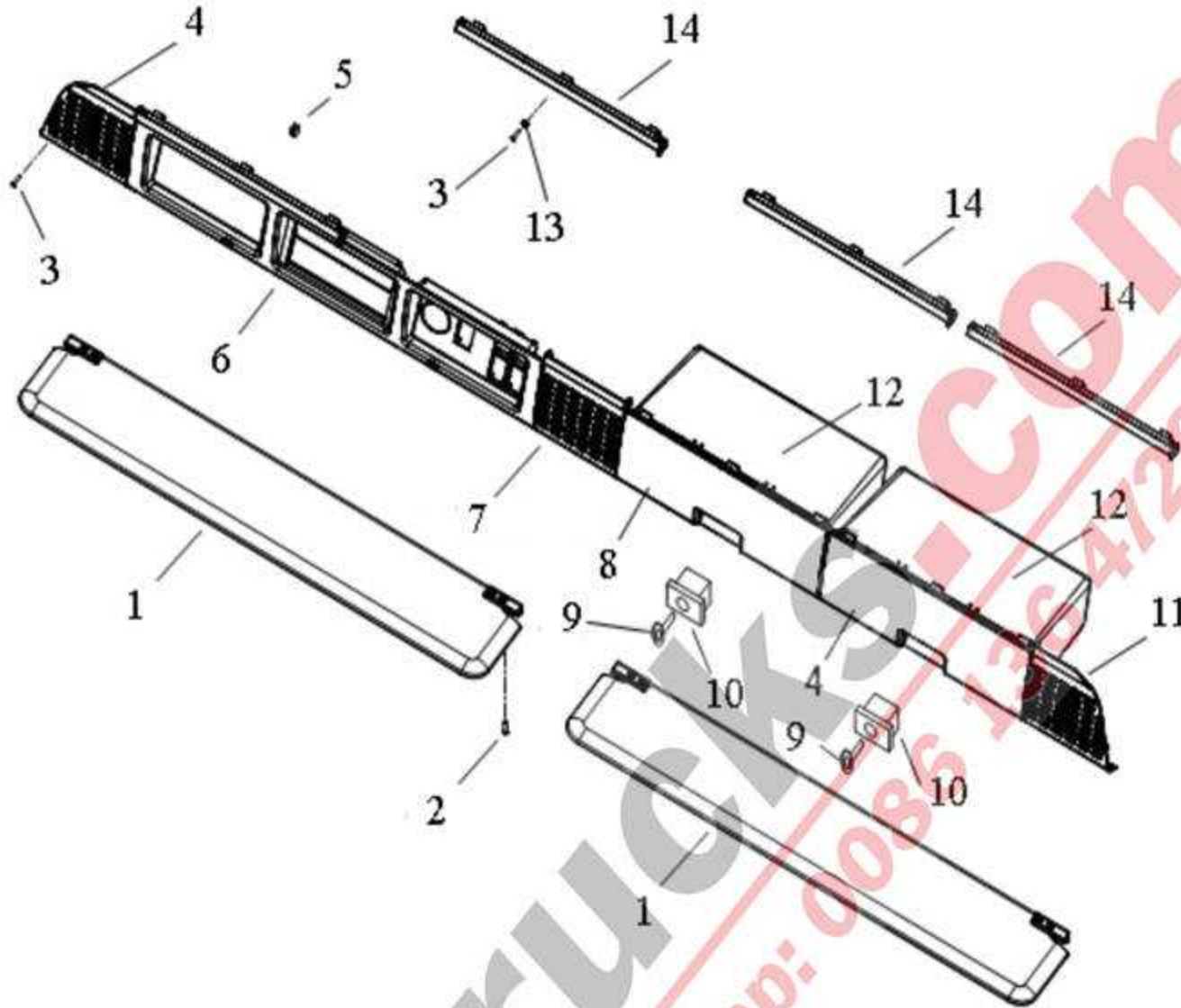
1.19 驾驶室刮水器/Wiper



1.19 驾驶室刮水器/Wiper

| 序号 | 零部件图号 | 名称 | Part Name | 数量 | 备注 |
|-----|--------------|------------|--------------------------|-----|--------|
| No. | Part No. | | | Qty | Remark |
| 1 | WG1642741001 | 驾驶室刮水器装置 | Wiper ass. | 1 | |
| 1.1 | WG1642741008 | 雨刮器电机及支架总成 | Motor and bracket ass. | 1 | |
| 1.2 | WG1642740009 | 连杆及支座总成 | Rod and base ass. | 1 | |
| 1.3 | WG1642740010 | 雨刮臂及刮片总成 | Wiper arm and blade ass. | 2 | |
| 2 | Q40306 | 弹簧垫圈 | Spring washer | 3 | |
| 3 | Q150B0616 | 六角头螺栓 | Screw | 3 | |
| 4 | Q150B0816 | 六角头螺栓 | Screw | 4 | |
| 5 | Q40308 | 弹簧垫圈 | Spring washer | 4 | |
| 6 | Q40208 | 大垫圈 | Washer | 4 | |
| 7 | Q150B0812 | 六角头螺栓 | Screw | 4 | |
| 8 | Q40308 | 弹簧垫圈 | Spring washer | 4 | |
| 9 | Q40108 | 平垫圈 | Washer | 4 | |

1.20 驾驶室上杂品箱/Upper Box

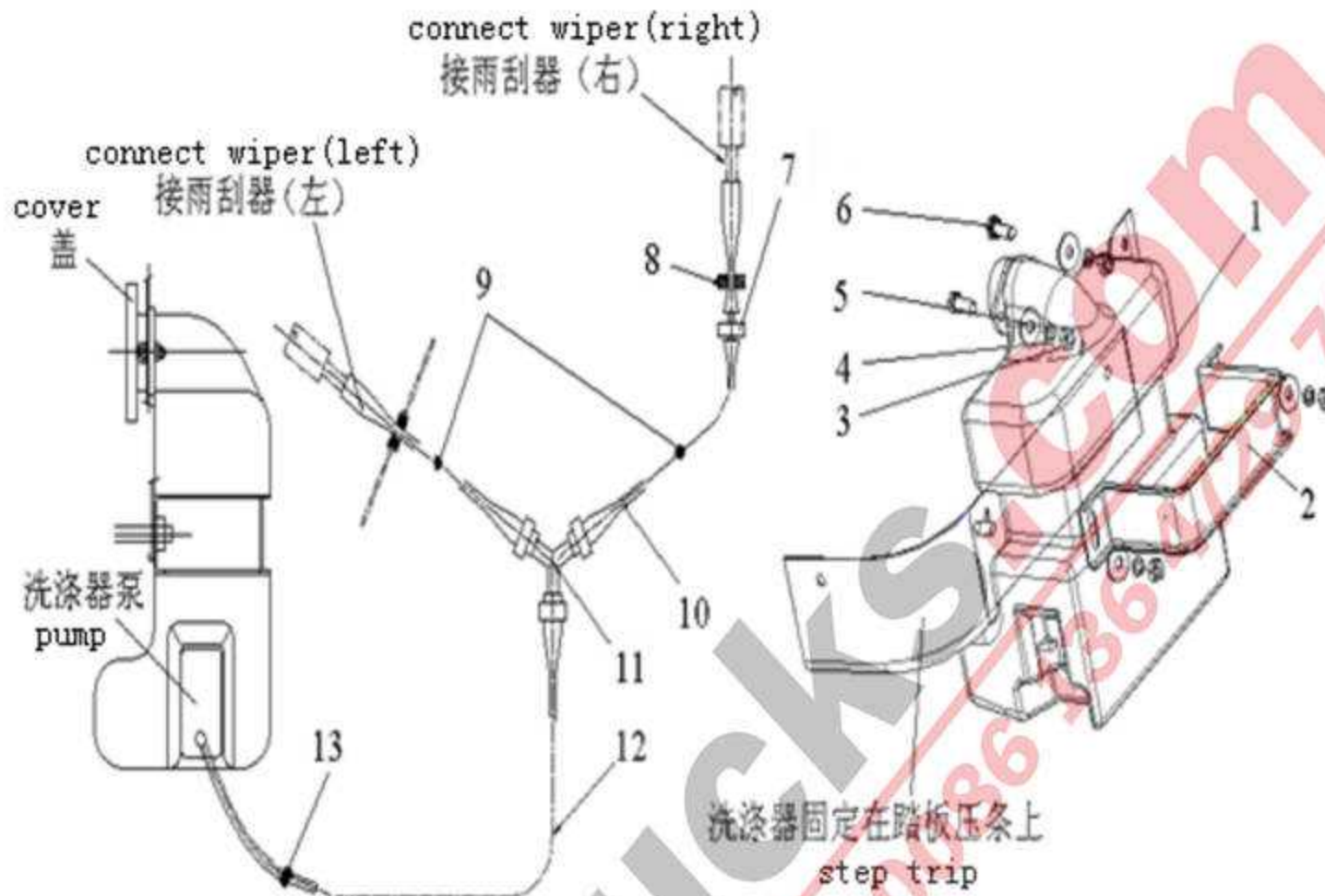


1.20 驾驶室上杂品箱/Upper Box

| 序号 | 零部件图号 | 名称 | Part Name | 数量 | 备注 |
|-----|--------------|-----------|-------------------|-----|--------|
| No. | Part No. | | | Qty | Remark |
| 1 | WG1642770010 | 遮阳板总成 | Sun visor | 2 | |
| 2 | Q2714825F31 | 十字槽盘头螺钉 | Screw | 8 | |
| 3 | Q2714216F31 | 十字槽盘头自攻螺钉 | Screw | 26 | |
| 4 | WG1642770015 | 喇叭罩(左) | Horn cover-left | 1 | |
| 5 | AZ1642770017 | 支承套 | Bush | 22 | |
| 6 | WG1642770012 | 杂品箱上护面 | Cover | 1 | |
| 7 | WG1642770017 | 喇叭罩(中) | Horn cover-middle | 1 | |
| 8 | WG1642770013 | 杂品箱盖 | Cover | 2 | |
| 9 | 115200160098 | 钥匙 | Key | 2 | |
| 10 | 115200160094 | 杂品箱锁 | Lock | 2 | |
| 11 | WG1642770016 | 喇叭罩(右) | Horn cover-right | 1 | |
| 12 | WG1642770014 | 杂品箱壳体总成 | Box | 2 | |
| 13 | Q2714816F31 | 小垫圈 | Washer | 12 | |

| | | | | |
|----|--------------|----|-------|---|
| 14 | WG1642770018 | 铰链 | Hinge | 4 |
|----|--------------|----|-------|---|

1.21 驾驶室风窗洗涤器/Windscreen Washing Equipment

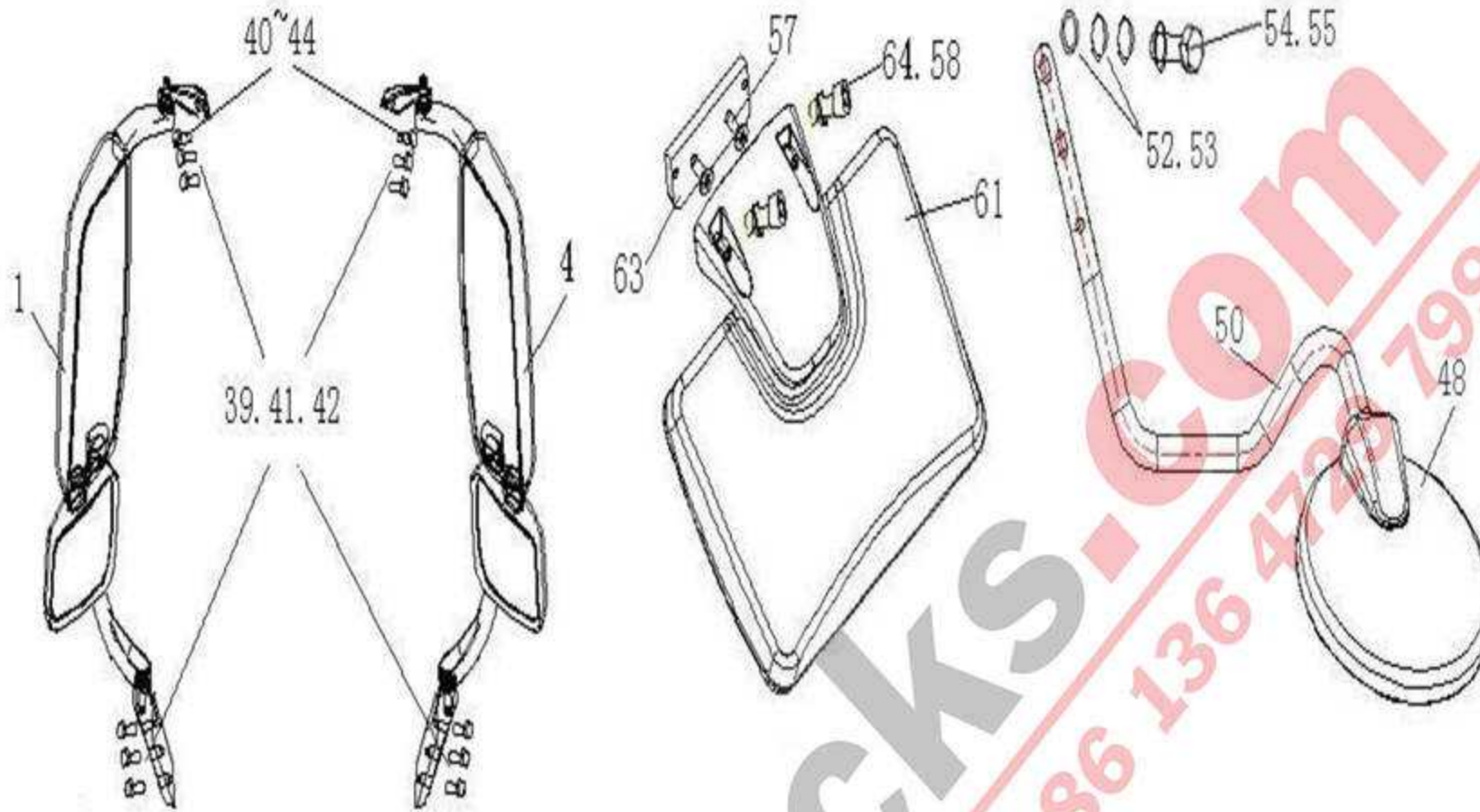


1.21 驾驶室风窗洗涤器/Windscreen Washing Equipment

| 序号 | 零部件图号 | 名称 | Part Name | 数量 | 备注 |
|-----|------------------|-----------|-------------------|-----|--------|
| No. | Part No. | | | Qty | Remark |
| 1 | WG1642860011 | 风窗洗涤器总成 | Washing Equipment | 1 | |
| 1.1 | WG1642860011-001 | 水泵 | Pump | 1 | |
| 2 | WG1642861010 | 风窗洗涤器容器支架 | Bracket | 1 | |
| 3 | Q340B06 | I型六角螺母 | Nut | 2 | |
| 4 | Q40306 | 弹簧垫圈 | Spring washer | 2 | |
| 5 | Q40206 | 大垫圈 | Washer | 2 | |
| 6 | Q150B0620 | 六角头螺栓 | Screw | 2 | |
| 7 | AZ1642860007 | 过板护圈 | Protect ring | 2 | |
| 8 | AZ1600860121 | 二通接头 | Nozzle | 1 | |
| 9 | Q68206 | 一端固定式单管夹片 | Clip | 2 | |
| 10 | AZ1642860003 | 软管 I | Hose | 1 | |
| 11 | 116000770121 | V型管接头 | V-shape connector | 1 | |
| 12 | WG1642861003 | 软管 I | Hose | 1 | |

| | | | | | |
|----|--------------|-------|----------|---|--|
| 13 | 190003171697 | 塑料紧箍带 | Fastener | 5 | |
| 14 | Q150B0820 | 六角头螺栓 | Screw | 2 | |

1.22 外后视镜及下视镜装置/View Mirror

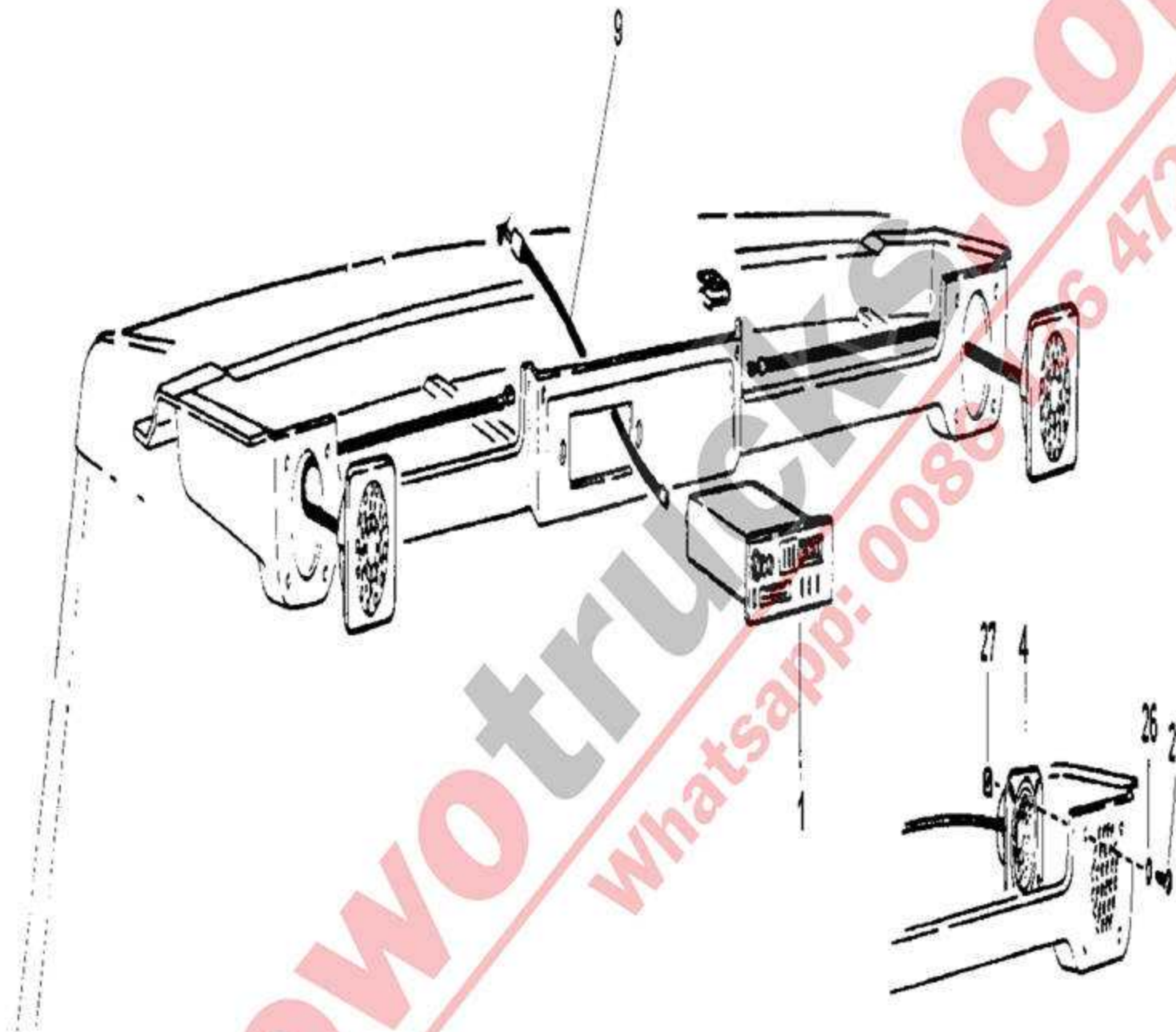


1.22 外后视镜及下视镜装置/View Mirror

| 序号 | 零部件图号 | 名称 | Part Name | 数量 | 备注 |
|-----|------------------|----------------|------------------------------|-----|--------|
| No. | Part No. | | | Qty | Remark |
| 1 | WG1642770001 | HOWO 车外左后视镜 | Rear view mirror -left | 1 | |
| 1.1 | WG1642770021+001 | HOWO 车外左后视镜支架座 | Support seat of left mirror | 1 | |
| 4 | WG1642770003 | HOWO 车外右后视镜 | Rear view mirror -right | 1 | |
| 4.1 | WG1642770023+001 | HOWO 车外右后视镜支架座 | Support seat of right mirror | 1 | |
| 39 | Q2140630F31 | 十字槽盘头螺钉 | Screw | 10 | |
| 40 | Q2140625F31 | 十字槽盘头螺钉 | Screw | 2 | |
| 41 | Q40306F31 | 弹簧垫圈 | Spring washer | 12 | |
| 42 | Q40106F31 | 平垫圈 | Washer | 6 | |
| 43 | Q40206F31 | 大垫圈 | Washer | 6 | |
| 44 | Q340B06F31 | I 型六角螺母 | Nut | 2 | |
| 48 | WG1662770010 | 下视镜总成 | Bottom view mirror | 1 | |
| 50 | WG1642770121 | 下视镜支架总成 | Bracket | 1 | |
| 52 | Q340B08F31 | I 型六角螺母 | Nut | 2 | |
| 53 | Q40208F31 | 大垫圈 | Washer | 4 | |

| | | | | | |
|----|--------------|------------|---------------|----|--|
| 54 | Q150B0825F31 | 六角头螺栓 | Screw | 2 | |
| 55 | Q40308F31 | 弹簧垫圈 | Spring washer | 2 | |
| 57 | Q2140625F31 | 十字槽盘头螺钉 | Screw | 2 | |
| 58 | Q40306F31 | 弹簧垫圈 | Spring washer | 12 | |
| 61 | WG1642770099 | HOWO 补盲镜总成 | View mirror | 1 | |
| 63 | AZ1642770097 | 底板 | Plate | 1 | |
| 64 | Q218B0620F31 | 内六角园柱头螺钉 | Screw | 2 | |

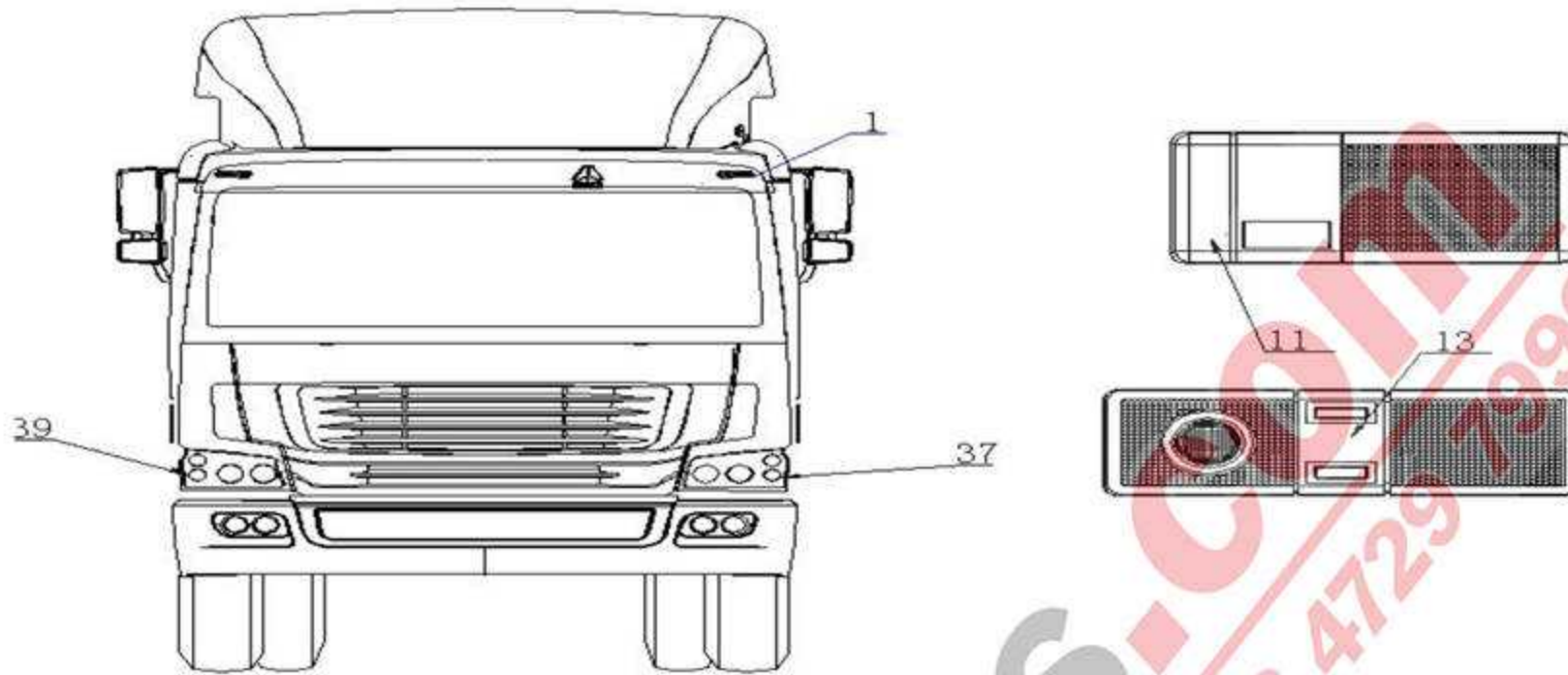
1.23 HOWO 用 MP3 汽车收放音机/MP3 radio



1.23 HOWO 用 MP3 汽车收放音机/MP3 radio

| 序号 | 零部件图号 | 名称 | Part Name | 数量 | 备注 |
|-----|--------------|------------|-------------|-----|--------|
| No. | Part No. | | | Qty | Remark |
| 1 | WG9725780001 | MP3 汽车收放音机 | MP3 radio | 1 | |
| 4 | WG9725780005 | 扬声器 (5 寸) | Loudspeaker | 2 | |
| 9 | WG9725780002 | 馈线 (2m) | Wire | 1 | |
| 25 | Q2714216 | 十字槽盘头自攻螺钉 | Screw | 8 | |
| 26 | Q40004 | 小垫圈 | Washer | 8 | |
| | | | | | |
| | | | | | |

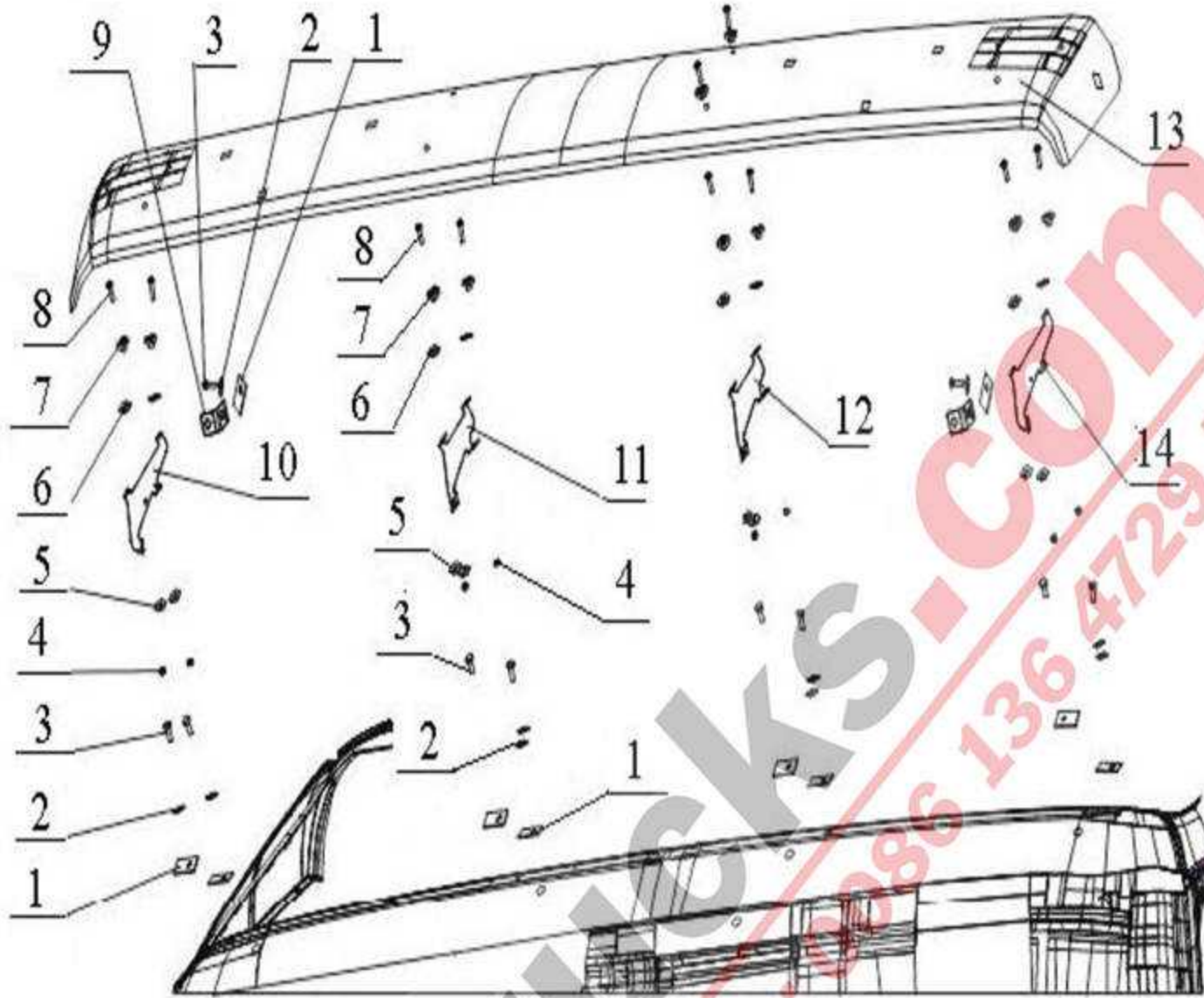
1. 24 HOWO 长驾驶室电器设备/Electric Equipment



1. 24 HOWO 长驾驶室电器设备/Electric Equipment

| 序号 No. | 零部件图号 Part No. | 名称 | Part Name | 数量 Qty | 备注 Remark |
|-----------|-------------------|--------------|----------------------------|-----------|--------------|
| 1 | WG9719790007 | 前示廓灯总成 | Front outline marker lamps | 2 | |
| 3 | Q39748202 | 簧片螺母 | Nut | 4 | |
| 4 | Q2764825 | 十字槽半沉头自攻螺钉 | Screw | 8 | |
| 6 | WG9719790001 | 门灯开关 | Switch for door lamp | 2 | |
| 9 | 190003179028 | 穿线护套 | Protect sleeve | 100mm | |
| 10 | 190003179028 | 穿线护套 | Protect sleeve | 100mm | |
| 11 | WG9719790002 | 驾驶室内照明灯 | Lamp | 4 | 17. 27 |
| 13 | WG9719790003 | 带聚光灯的驾驶室内照明灯 | Lamp | 1 | 23. 03 |
| 15 | AZ9725778007 | 加长驾驶室顶蓬电线束 | Wireness | 1 | |
| 16 | Q41205 | 外锯齿锁紧垫圈 | Washer | 4 | |
| 17 | 190003171697 | 塑料紧箍带 | Fastener | 5 | |
| 18 | AZ9725778003 | 加长驾驶室底部电线束 | Wireness | 1 | |
| 19 | WG9900580021 | 盖板 | Plate | 4 | |
| 25 | Q40106 | 平垫圈 | Washer | 4 | |
| 26 | Q40306 | 弹簧垫圈 | Spring washer | 4 | |
| 27 | Q340B06 | I 型六角螺母 | Nut | 4 | |
| 29 | Q150B0820 | 六角头螺栓 | Screw | 2 | |
| 30 | Q40208 | 大垫圈 | Washer | 4 | |
| 31 | Q40308 | 弹簧垫圈 | Spring washer | 2 | |

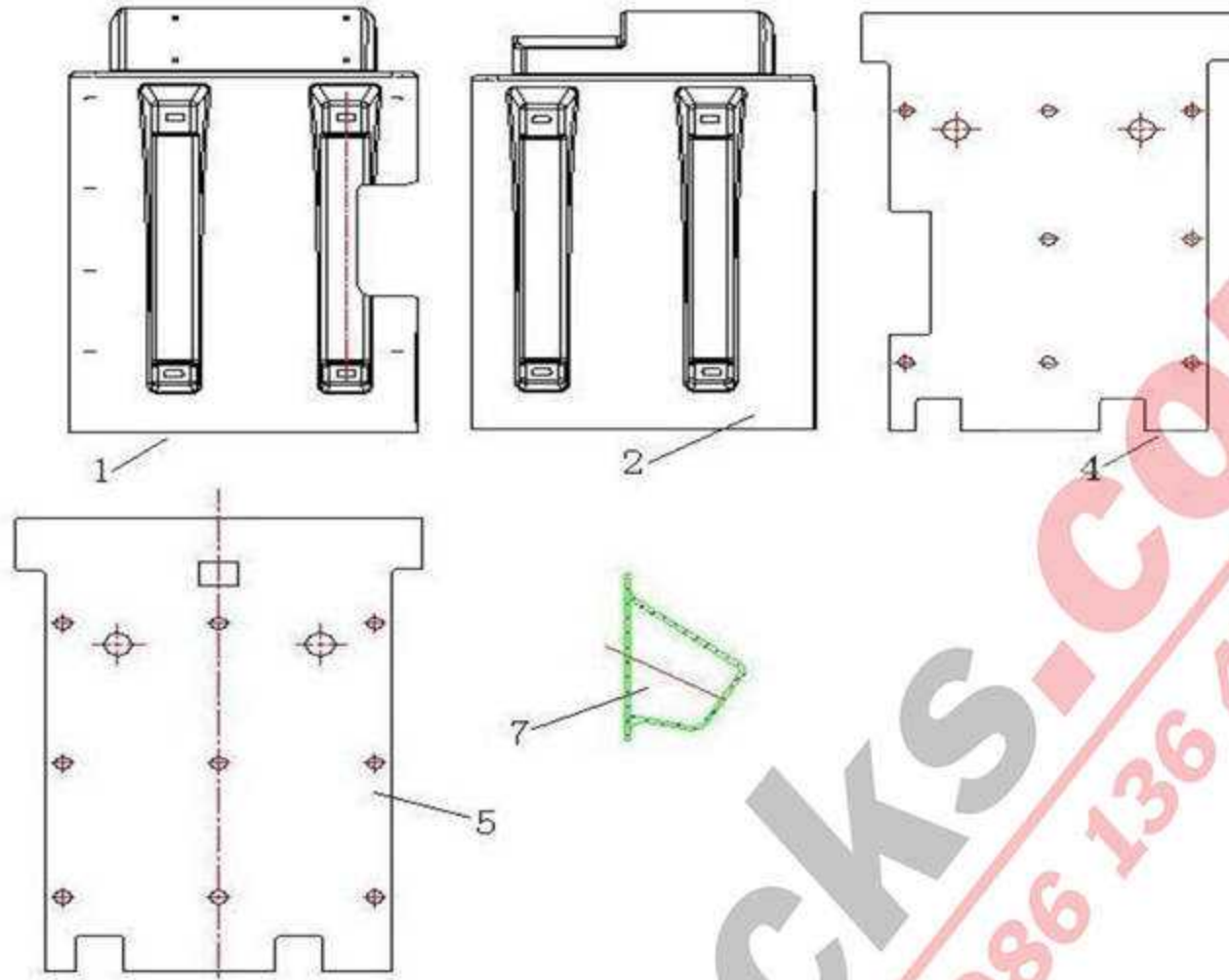
1.25 HOWO 驾驶室遮阳罩/Sun Visor



1.25 HOWO 驾驶室遮阳罩/Sun Visor

| 序号 | 零部件图号 | 名称 | Part Name | 数量 | 备注 |
|-----|--------------|-------------|-----------------------|-----|--------|
| No. | Part No. | | | Qty | Remark |
| 1 | AZ1672870121 | 橡胶垫 | Rubber cushion | 10 | |
| 2 | Q40208 | 大垫圈 | Washer | 12 | |
| 3 | Q150B0820 | 六角头螺栓 | Screw | 10 | |
| 4 | Q340B06 | I型六角螺母 | Nut | 8 | |
| 5 | Q40206 | 大垫圈 | Washer | 8 | |
| 6 | AZ1642870043 | 橡胶垫 | Rubber cushion | 8 | |
| 7 | AZ1608870008 | 异型垫片 | Spacer | 8 | |
| 8 | Q2140625 | 十字槽盘头螺钉 | Screw | 8 | |
| 9 | WG1642870236 | 外下支架 | Bracket - lower | 2 | |
| 10 | WG1642870233 | 左外支架 | Bracket -left | 1 | |
| 11 | WG1642870235 | 左中支架 | Bracket -left middle | 1 | |
| 12 | WG1642870234 | 右中支架 | Bracket -right middle | 1 | |
| 13 | WG1642870231 | HOWO 驾驶室遮阳罩 | Sun Visor | 1 | |
| 14 | WG1642870232 | 右外支架 | Bracket -right | 1 | |

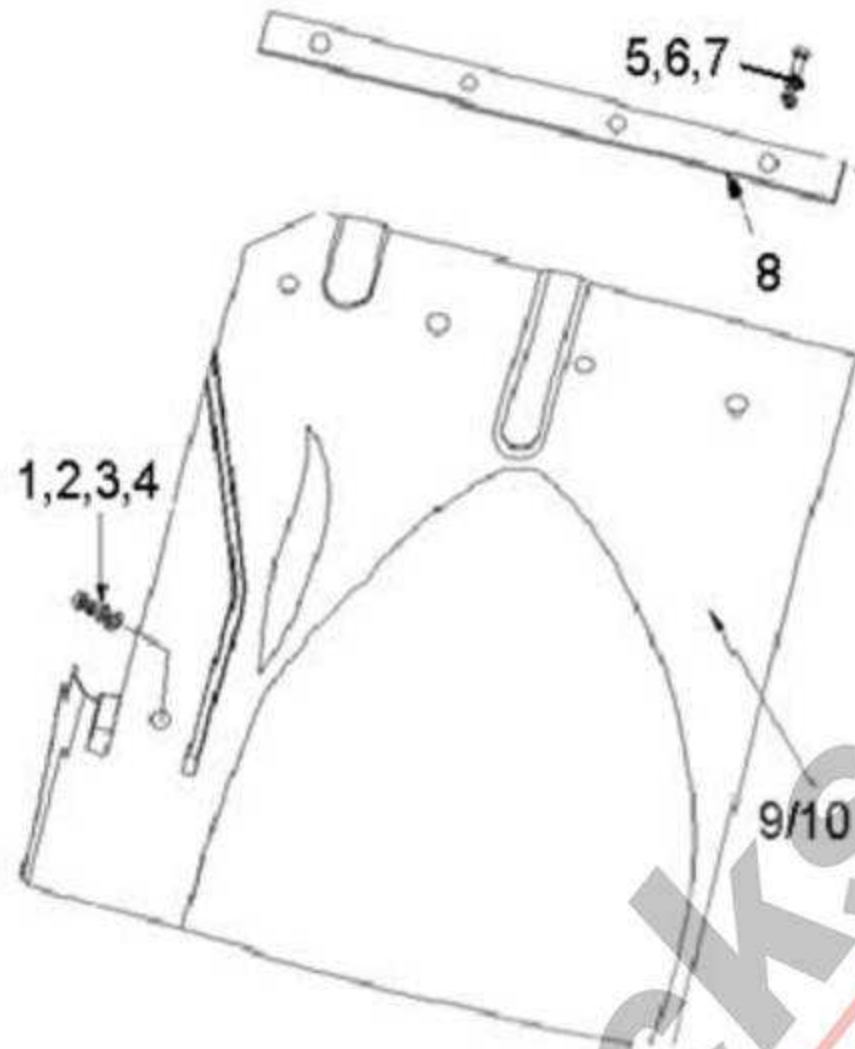
1. 27 09 版 HOWO/8X4/自卸车/中长驾驶室前轮后翼子板/Fender



1. 27 09 版 HOWO/8X4/自卸车/中长驾驶室前轮后翼子板/Fender

| 序号 No. | 零部件图号 Part No. | 名称 | Part Name | 数量 Qty | 备注 Remark |
|-----------|-------------------|-----------------------|--------------------|-----------|--------------|
| 1 | WG1642230230 | 左后翼子板(8X4 抬高 114.5mm) | Fender ass. -left | 1 | |
| 2 | WG1642233001 | HOWO 右后翼子板 | Fender ass. -right | 1 | |
| 4 | WG1642230220 | 缓冲衬层(8X4 抬高 114.5mm) | Cushion | 1 | |
| 5 | WG1642230111 | 后翼子板缓冲衬层 | Cushion | 1 | |
| 7 | WG1642230008 | 垫圈 | Washer | 18 | |
| 9 | Q2714216 | 十字槽盘头自攻螺钉 | Screw | 18 | |
| 10 | Q150B0825 | 六角头螺栓 | Screw | 8 | |
| 11 | Q40208 | 大垫圈 | Washer | 8 | |
| 12 | Q40308 | 弹簧垫圈 | Washer | 8 | |
| 13 | Q340B08 | 1 型六角螺母 | Nut | 8 | |
| | | | | | |
| | | | | | |
| | | | | | |
| | | | | | |
| | | | | | |

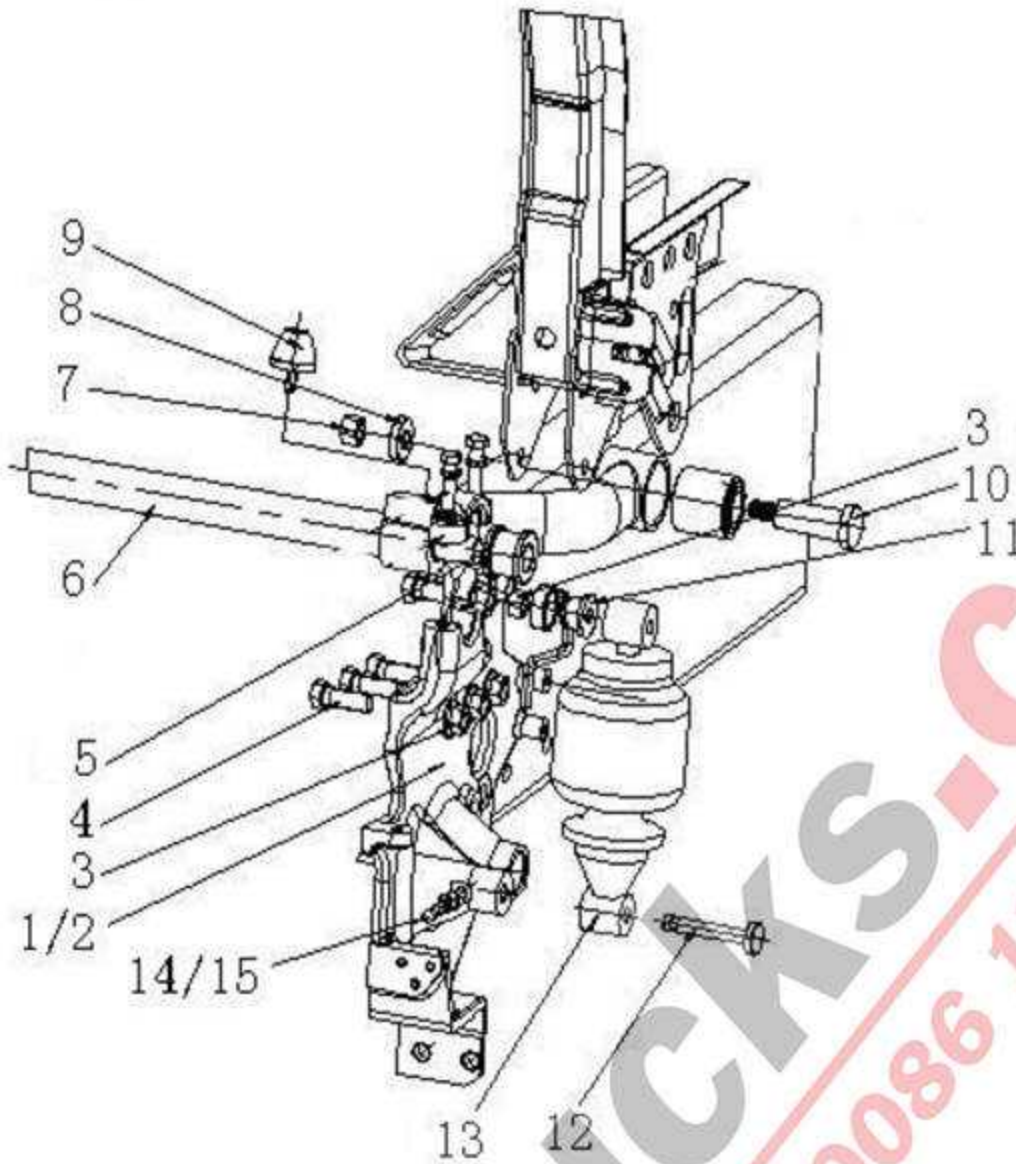
1.29 后挡泥板/Rear Mudguard



1.29 后挡泥板/Rear Mudguard

| 序号 | 零部件图号 | 名称 | Part Name | 数量 | 备注 |
|-----|--------------|--------|-----------------|-----|--------|
| No. | Part No. | | | Qty | Remark |
| 1 | Q40210F31 | 大垫圈 | Washer | 10 | |
| 2 | Q40206F31 | 大垫圈 | Washer | 36 | |
| 3 | Q150B0625F31 | 六角头螺栓 | Screw | 12 | |
| 4 | Q340B06F31 | I型六角螺母 | Nut | 10 | |
| 5 | Q150B0820F31 | 六角头螺栓 | Screw | 8 | |
| 6 | Q40208F31 | 大垫圈 | Washer | 8 | |
| 7 | Q40308F31 | 弹簧垫圈 | Spring washer | 8 | |
| 8 | AZ1641230027 | 挡泥板用压条 | Strip | 2 | |
| 9 | WG1641230025 | 左前挡泥板 | Mudguard -left | 1 | |
| 10 | WG1641230026 | 右前挡泥板 | Mudguard -right | 1 | |
| | | | | | |
| | | | | | |
| | | | | | |
| | | | | | |
| | | | | | |

1. 31 驾驶室前悬架 (320sus/+114.5/LHD) /Cab Front Support

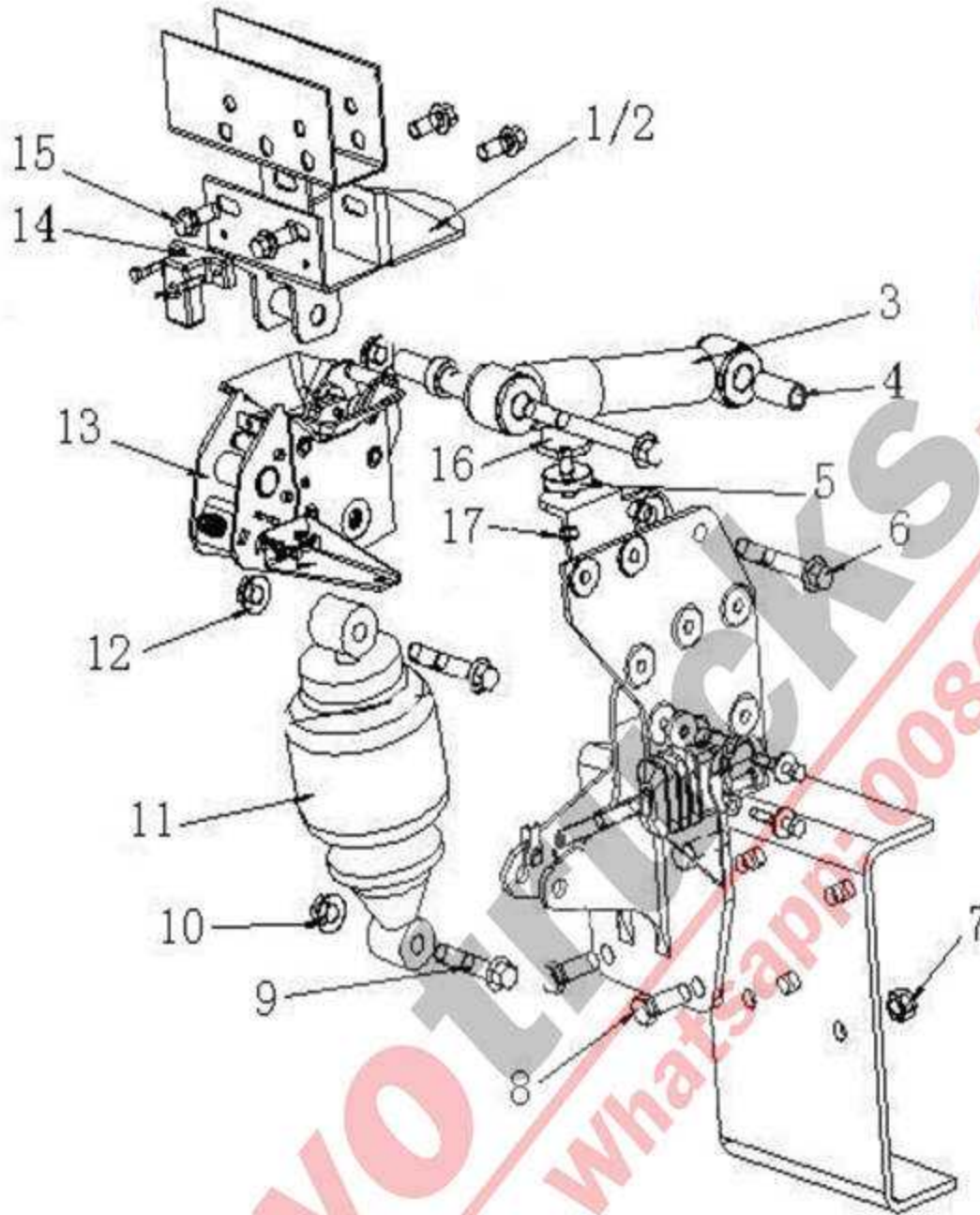


1. 31 长驾驶室前悬架 (320sus/+114.5/LHD) /Cab Front Support

| 序号 | 零部件图号 | 名称 | Part Name | 数量 | 备注 |
|-----|--------------|------------------|-----------------|-----|--------|
| No. | Part No. | | | Qty | Remark |
| 1 | AZ1642439335 | 左前支架总成 | Bracket - left | 1 | |
| 2 | AZ1642439336 | 右前支架总成 | Bracket - right | 1 | |
| 3 | 190003888459 | 自锁螺母 | Nut | 10 | |
| 4 | Q151B1645 | 六角头螺栓 | Screw | 9 | |
| 5 | AZ1642430263 | 尼龙衬套 | Bush | 2 | |
| 6 | AZ1642430219 | 驾驶室翻转轴总成 | Rotating shaft | 1 | |
| 7 | 190003888459 | 自锁螺母 | Nut | 2 | |
| 8 | WG1642430072 | 异形垫圈 | Washer | 2 | |
| 9 | WG1642430083 | 限位块总成 | Limited block | 2 | |
| 10 | WG1642430071 | 螺栓 | Screw | 2 | |
| 11 | AZ1642430265 | T型衬套 | Bush | 2 | |
| 12 | AZ1642430239 | 销轴 | Shaft | 2 | |
| 13 | WG1642430283 | HOWO 前悬螺旋弹簧减振器总成 | Shock absorber | 2 | |
| 14 | Q2861030 | 定位螺钉 | Screw | 2 | |
| 15 | Q340B10 | 六角螺母 | Nut | 2 | |
| 16 | Q151B1655 | 六角头螺栓 | Screw | 1 | |

| | | | | | |
|----|--------------|---------|------------------|---|--|
| 17 | Q151B1450 | 六角头螺栓 | Screw | 4 | |
| 18 | 190003888458 | 自锁螺母 | Nut | 4 | |
| 19 | Q700B06 | 直通式滑脂嘴 | Grease nozzle | 2 | |
| 20 | Q1841490 | 六角法兰面螺栓 | Screw | 2 | |
| 21 | Q33014 | 自锁螺母 | Nut | 2 | |
| 22 | WG1642430268 | 调整垫片 | Adjusting washer | 3 | |

1. 32 HOWO 长驾驶室后悬置(螺旋弹簧/工程/320sus/+114.5)/Cab Rear Support

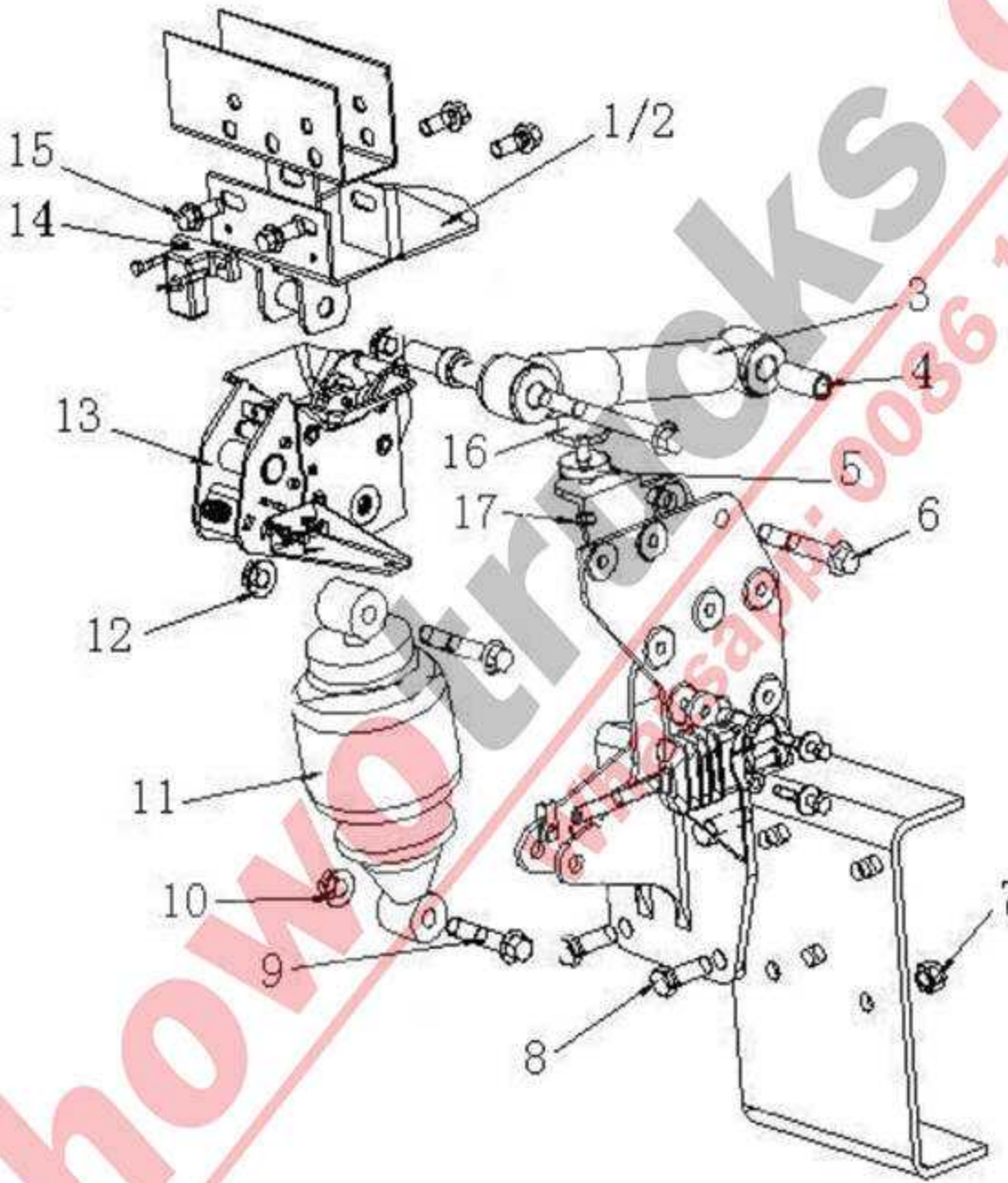


1. 32 HOWO 长驾驶室后悬置(螺旋弹簧/工程/320sus/+114.5)/Cab Rear Support

| 序号 | 零部件图号 | 名称 | Part Name | 数量 | 备注 |
|-----|--------------|-----------|-----------------------|-----|--------|
| No. | Part No. | | | Qty | Remark |
| 1 | WG1642440040 | 左上支架总成 | Bracket - upper left | 1 | |
| 2 | WG1642440041 | 右上支架总成 | Bracket - upper right | 1 | |
| 3 | WG1642440021 | 横向稳定减振器总成 | Shock absorber | 2 | |
| 4 | WG1642440032 | 衬套 II | Bush | 2 | |
| 5 | WG1642430082 | 限位块垫圈 | Washer | 2 | |
| 6 | Q18414110 | 六角法兰面螺栓 | Screw | 2 | |
| 7 | 190003888458 | 自锁螺母 | Nut | 8 | |
| 8 | Q151B1450 | 六角头螺栓 | Screw | 8 | |
| 9 | Q1841480 | 六角法兰面螺栓 | Screw | 4 | |

| | | | | | |
|----|--------------|-----------|-------------------------|---|--|
| 10 | Q33014 | 自锁螺母 | Nut | 4 | |
| 11 | WG1642440088 | 后悬减振器总成 | Shock absorber | 2 | |
| 12 | Q33014 | 自锁螺母 | Nut | 2 | |
| 13 | WG1642440101 | 液压锁总成 | Lock ass. | 2 | |
| 14 | WG1642440052 | 驾驶室锁止信号开关 | Switch - locking signal | 2 | |
| 15 | Q1841230 | 六角法兰面螺栓 | Screw | 8 | |
| 16 | WG1642430081 | 限位块总成 | Limited block | 2 | |
| 17 | Q340B10 | 六角螺母 | Nut | 2 | |
| 18 | Q1460645 | 组合件 | Combination screw | 4 | |
| 19 | AZ1642448081 | 左下支架 | Bracket - lower left | 1 | |
| 20 | AZ1642448082 | 右下支架 | Bracket - lower right | 1 | |

1.32 HOWO 长驾驶室后悬置(螺旋弹簧/工程/320sus/+114.5)/Cab Rear Support

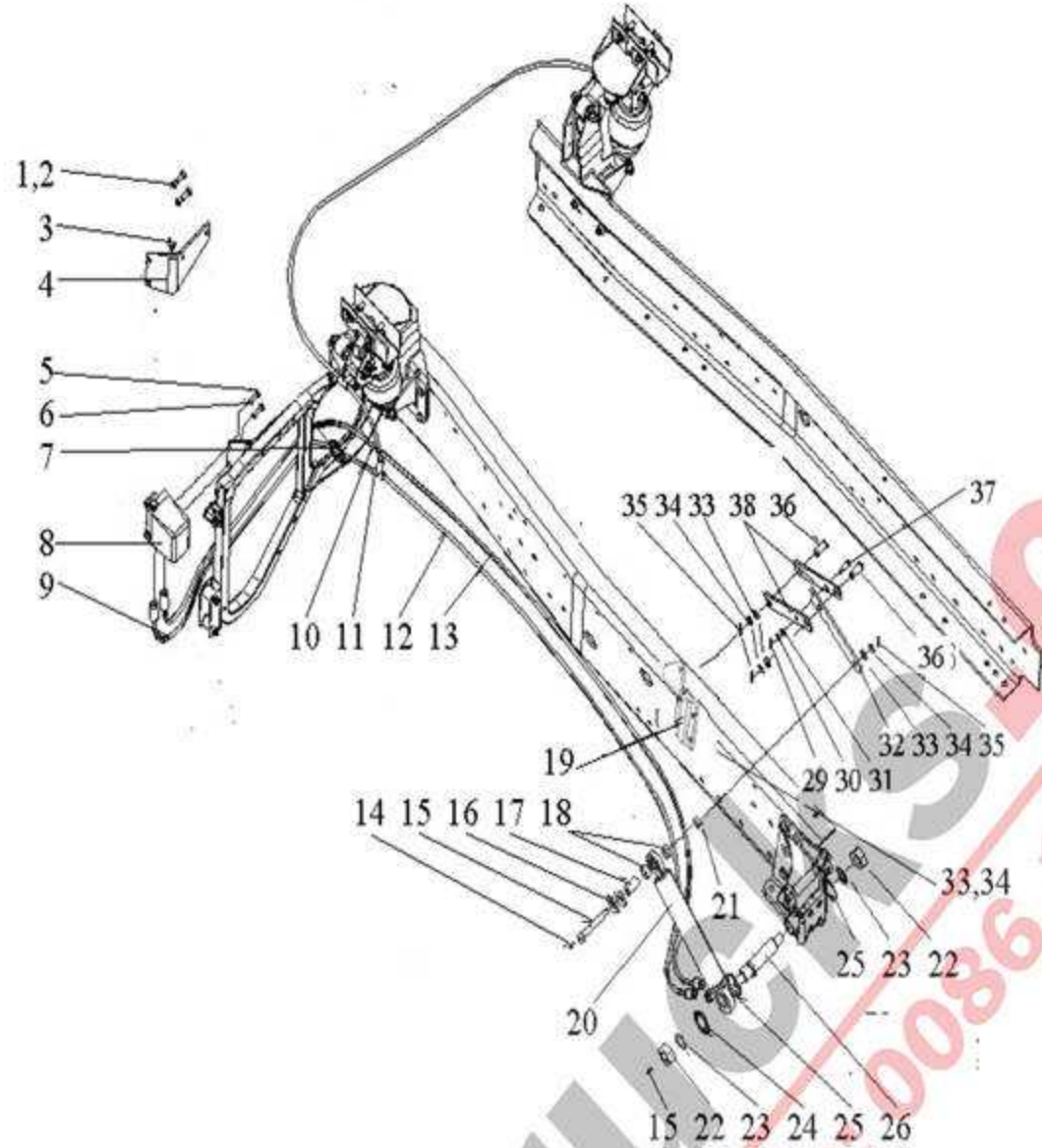


1.32 HOWO 长驾驶室后悬置(螺旋弹簧/工程/320sus/+114.5)/Cab Rear Support

| 序号 | 零部件图号 | 名称 | Part Name | 数量 | 备注 |
|-----|--------------|------------|---------------|-----|--------|
| No. | Part No. | | | Qty | Remark |
| 21 | Q40310 | 弹簧垫圈 | Spring washer | 2 | |
| 22 | WG1642440033 | 衬套 III | Bush | 2 | |
| 23 | Q18414150 | 六角法兰面螺栓 | Screw | 2 | |
| 27 | WG9719820211 | 双弯软管(3700) | Hose | 1 | |

28 | WG9003171356 | 塑料紧固带 A5*280 | Fastener | 5

1.33 长驾驶室举升装置 (油滤器、抬高 114.5) /Tilting Equipment

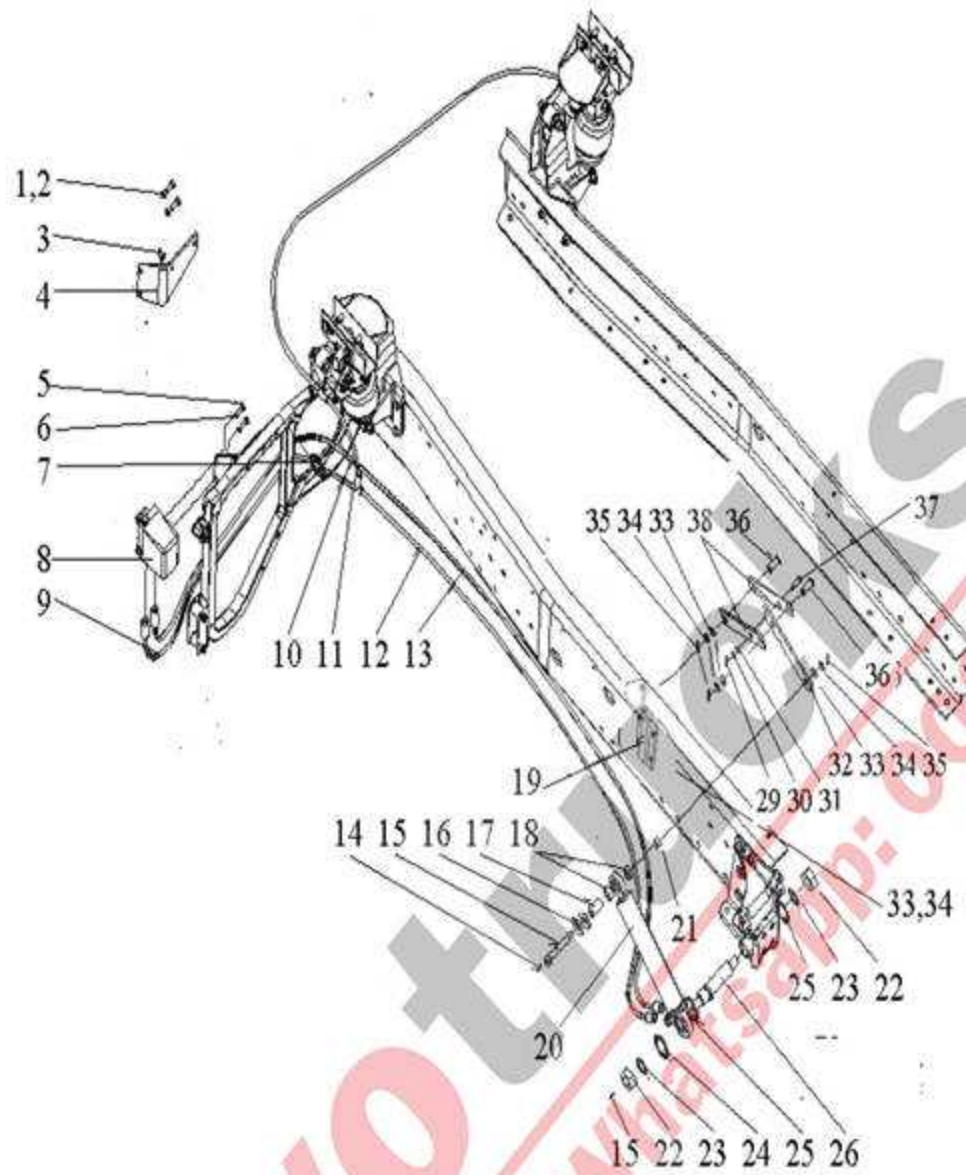


1.33 长驾驶室举升装置 (油滤器、抬高 114.5) /Tilting Equipment

| 序号 | 零部件图号 | 名称 | Part Name | 数量 | 备注 |
|-----|--------------|--------------|-----------------------|-----|--------|
| No. | Part No. | | | Qty | Remark |
| 5 | Q150B1020 | 六角头螺栓 | Screw | 2 | |
| 6 | Q40310 | 弹簧垫圈 | Spring washer | 2 | |
| 7 | 190003171356 | 塑料紧固带 | Fastener | 15 | |
| 8 | WG9719820001 | 液压手动油泵 | Hydr. Hand pump | 1 | |
| 9 | WG9719820207 | 单弯软管(600) | Hose | 1 | |
| 10 | WG9719820204 | 双弯软管(800) | Hose | 1 | |
| 11 | 190003559459 | 卡套式四通管接头 | Four way pipe fitting | 1 | |
| 12 | WG9719820206 | 单弯软管(2600) | Hose | 1 | |
| 13 | WG9719820203 | 双弯软管(3200) | Hose | 1 | |
| 14 | AZ9003963001 | 滑脂嘴总成 | Grease nozzle | 2 | |
| 15 | AZ9719820008 | 驾驶室翻转油缸支承轴 I | Shaft | 1 | |
| 16 | Q40216 | 大垫圈 | Washer | 2 | |
| 17 | AZ9719820009 | 衬套 | Bush | 1 | |
| 18 | AZ9719820012 | 衬套 | Bush | 2 | |

| | | | | | |
|----|--------------|---------|----------------|---|--|
| 19 | WG9719820029 | 限位拉带支座 | Seat | 1 | |
| 20 | WG9719820002 | 驾驶室举升油缸 | Hydr. Cylinder | 1 | |
| 21 | 190003888459 | 自锁螺母 | Nut | 1 | |
| 22 | Q33424 | 自锁螺母 | Nut | 2 | |
| 23 | Q40124 | 平垫圈 | Washer | 1 | |
| 24 | WG9719820011 | 大垫片 | Washer | 1 | |

1.33 长驾驶室举升装置（油滤器、抬高 114.5）/Tilting Equipment

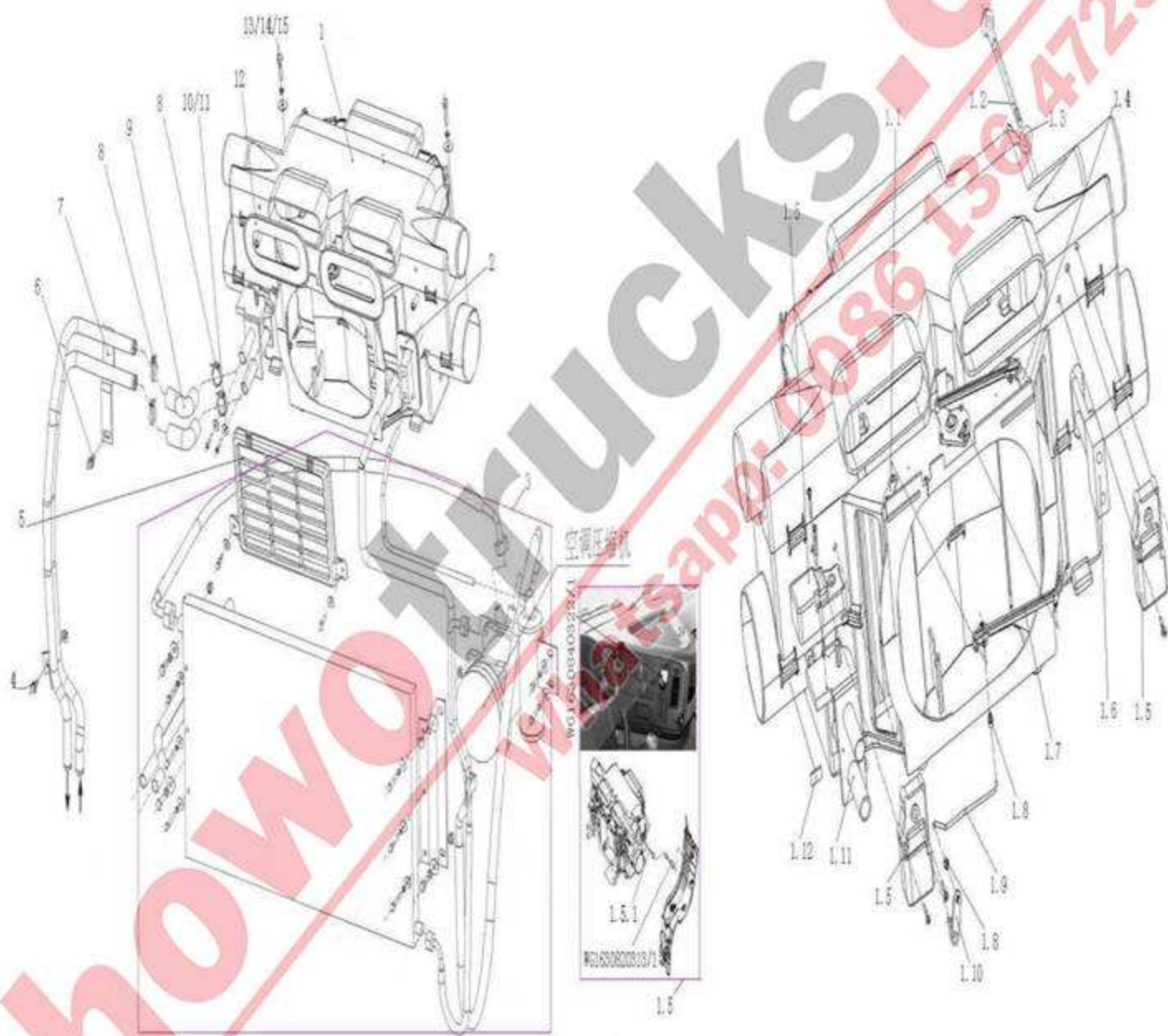


1.33 长驾驶室举升装置（油滤器、抬高 114.5）/Tilting Equipment

| 序号 | 零部件图号 | 名称 | Part Name | 数量 | 备注 |
|-----|--------------|------------|---------------|-----|--------|
| No. | Part No. | | | Qty | Remark |
| 25 | WG9719820013 | 垫圈 | Washer | 2 | |
| 26 | AZ9719820015 | 驾驶室翻转油缸支承轴 | Shaft | 1 | |
| 27 | Q151C1235 | 六角头螺栓(细牙) | Screw | 4 | |
| 28 | 190003888457 | 自锁螺母 | Nut | 4 | |
| 29 | Q5003216 | 开口销 | Split pin | 1 | |
| 30 | Q40112 | 平垫圈 | Washer | 1 | |
| 31 | Q41710 | 鞍形弹性垫圈 | Spring washer | 1 | |
| 32 | AZ9719820021 | 上撑条 | Upper brace | 1 | |
| 33 | Q41814 | 波形弹性垫圈 | Spring washer | 2 | |

| | | | | | |
|----|--------------|---------|-------------|---|--|
| 34 | Q40114 | 平垫圈 | Washer | 2 | |
| 35 | Q5004028 | 开口销 | Split pin | 3 | |
| 36 | Q5101428 | 销轴(h11) | Shaft | 2 | |
| 37 | 190003903452 | 销轴 | Shaft | 1 | |
| 38 | AZ9719820022 | 下撑条 | Lower brace | 2 | |
| | | | | | |
| | | | | | |
| | | | | | |
| | | | | | |
| | | | | | |
| | | | | | |
| | | | | | |

1. 34 HOWO 车空调装置(重汽插接件, 新型水管)/Air Conditioner

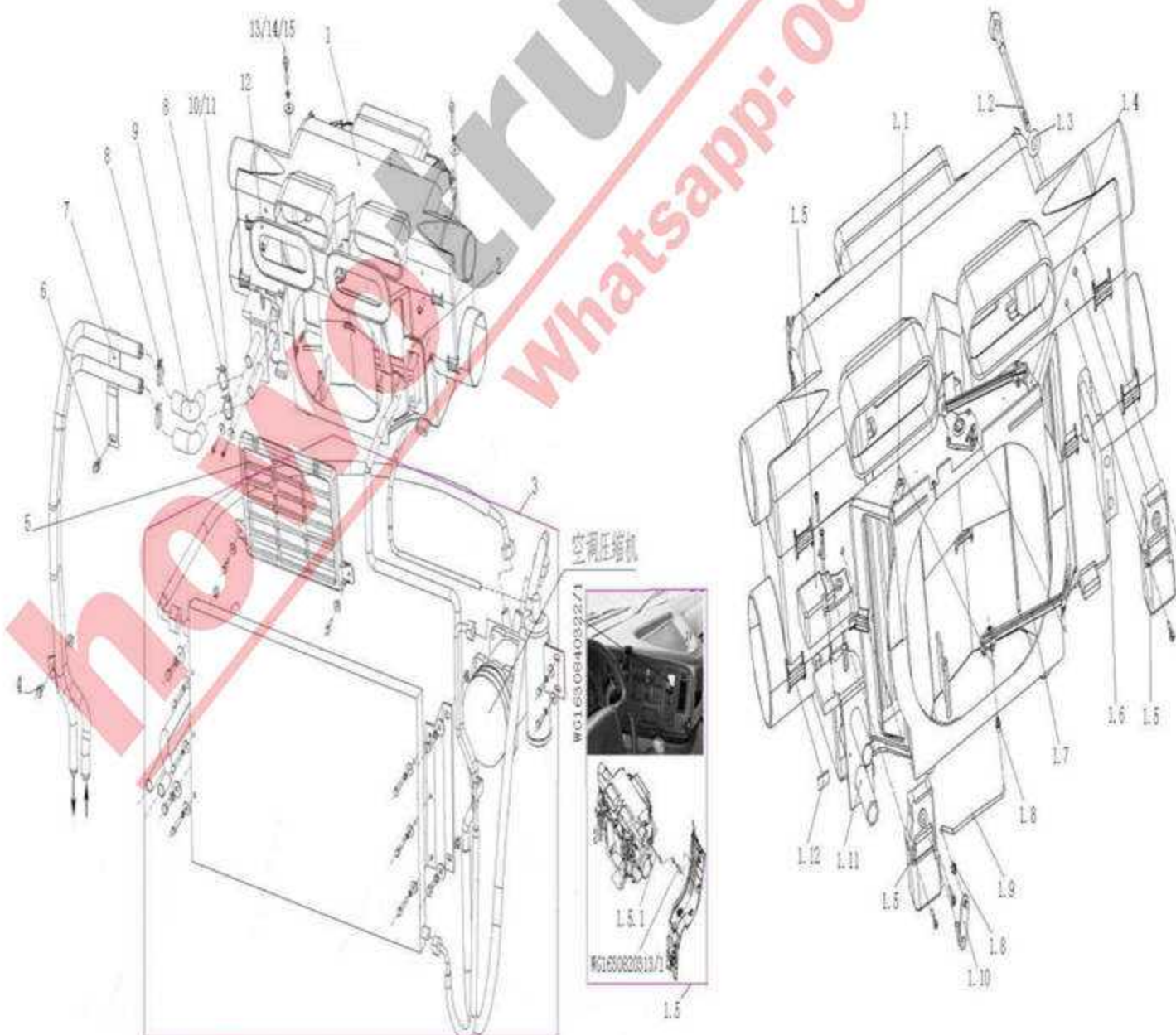


1. 34 HOWO 车空调装置(重汽插接件, 新型水管)/Air Conditioner

| 序号 | 零部件图号 | 名称 | Part Name | 数量 | 备注 |
|-----|--------------|-------------|----------------------|-----|--------|
| No. | Part No. | | | Qty | Remark |
| 1 | WG1642821002 | 带电动风门的空调器总成 | Air conditioner ass. | 1 | |
| 1.1 | AZ1630840046 | 连杆III | Rod | 1 | |
| 1.2 | AZ1630840315 | 锥齿轮轴 | Shaft | 1 | |
| 1.3 | Q43660 | 开口挡圈 | Ring | 1 | |

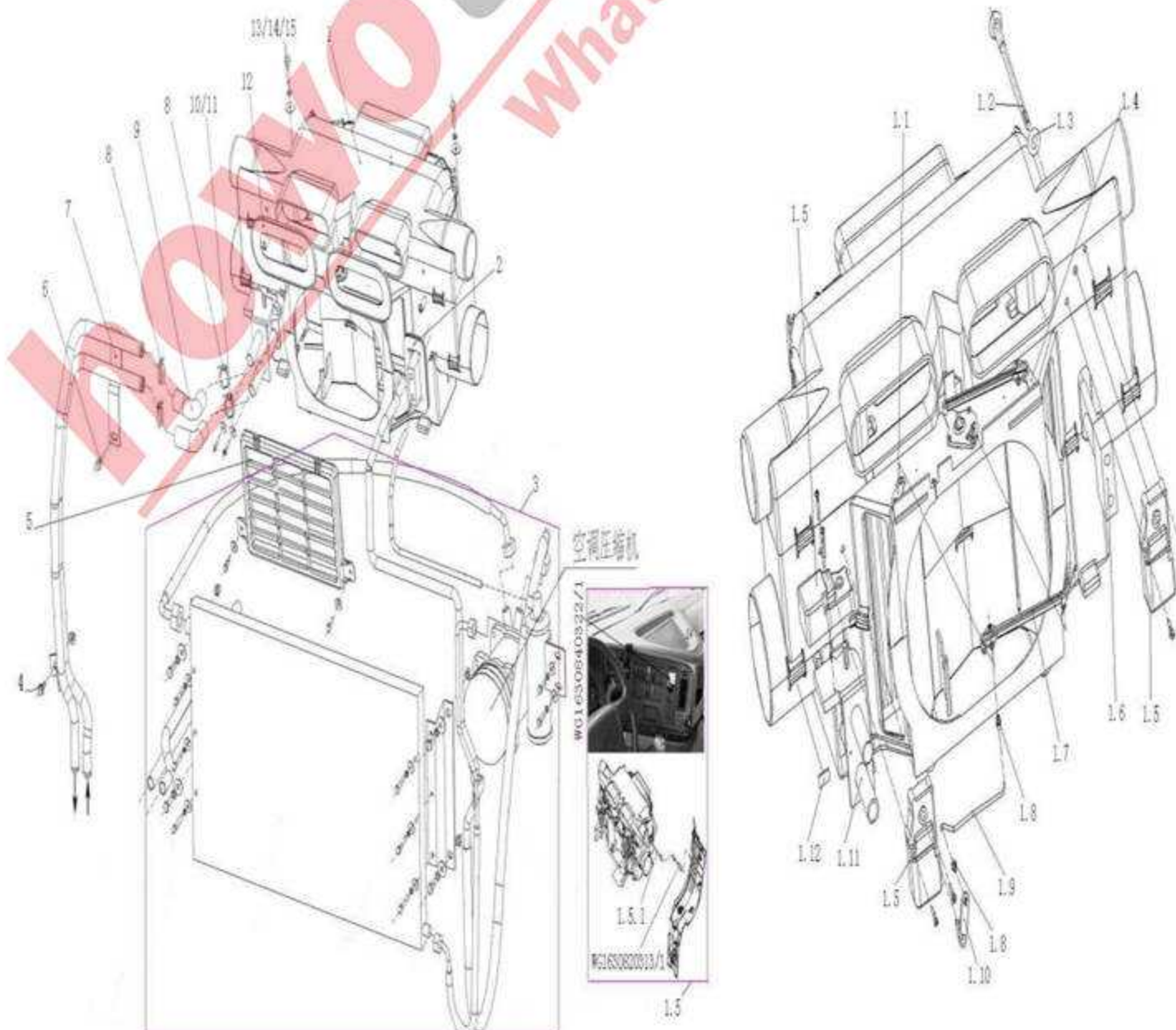
| | | | | |
|-------|----------------|-----------------|----------------------------|---|
| 1.4 | AZ1630840047 | 连杆IV | Rod | 1 |
| 1.5 | WG1642820050 | 空调控制系统零件清单 | List | 1 |
| 1.5.1 | AZ1630820314 | 空调线束总成(换重汽牌插接器) | Wireness | 1 |
| 1.5.2 | WG1630840321/1 | 风机调速块总成(南京奥联) | Fan speed adjusting module | 1 |
| 1.6 | AZ1642820010 | 蒸发器总成(十堰瑞高) | Evaporator ass. | 1 |
| 1.7 | AZ1630840045 | 连杆II | Rod | 2 |
| 1.8 | AZ1630840053 | 莲花座 | Base | 2 |
| 1.9 | AZ1630840314 | 曲拉杆 | Gear | 1 |
| 1.10 | AZ1630840313 | 摆臂 | Arm | 1 |
| 1.11 | AZ1630840319 | 散热器总成(带电控水阀) | Radiator ass. | 1 |
| 1.12 | AZ1630840063 | 连接卡子 | Clip | 9 |
| 1.13 | AZ1630840013 | 下壳体 | Bottom housing | 1 |
| 1.14 | AZ1630840091 | 滴水管 | Pipe | 2 |
| 1.15 | AZ1630840015 | 进风门总成 | Air intake ass. | 2 |
| 1.16 | AZ1630840312 | 中壳体 | Middle housing | 1 |
| 1.17 | AZ1630840014 | 风机总成 | Fan | 1 |

1.34 HOWO 车空调装置(重汽插接件, 新型水管)/Air Conditioner



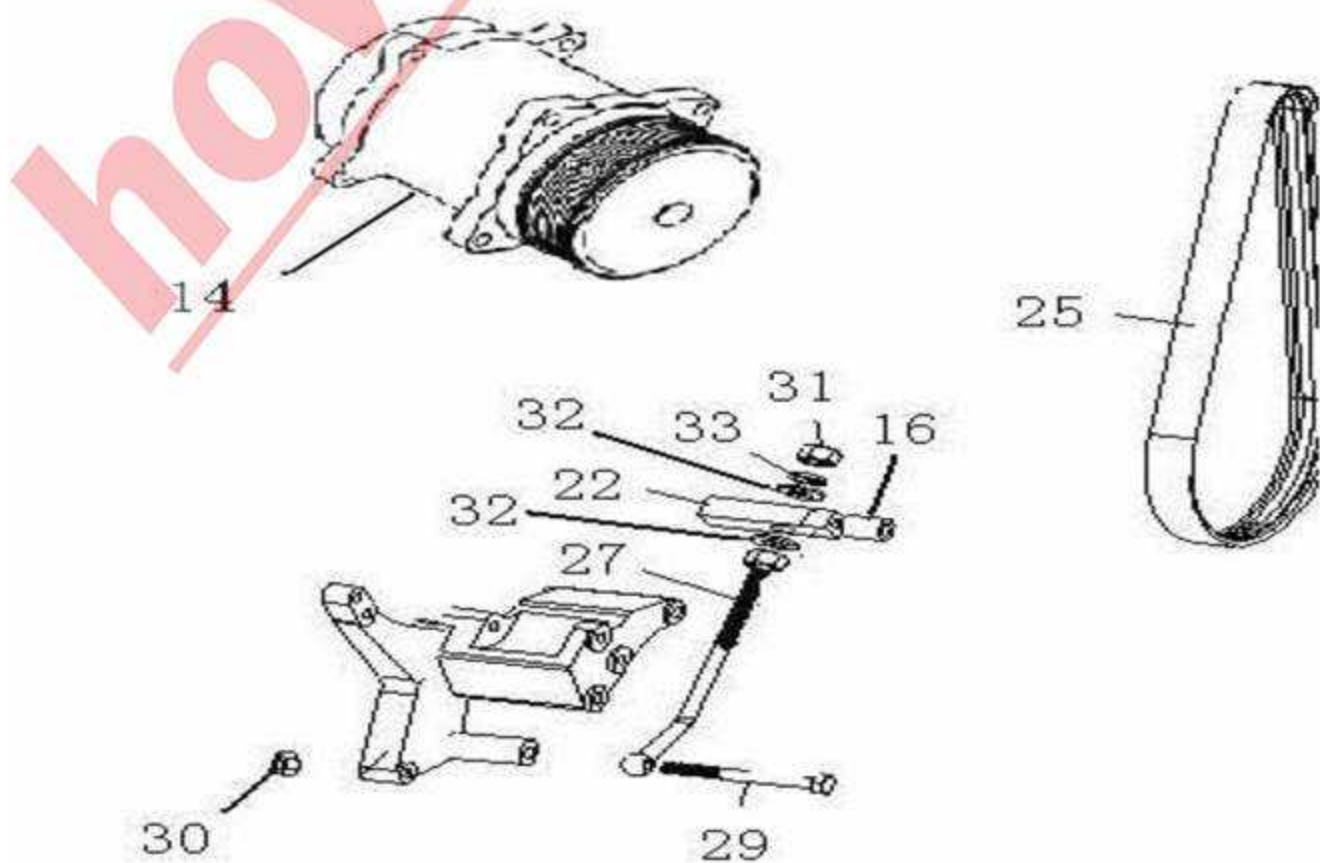
| 1. 34 HOWO 车空调装置(重汽插接件, 新型水管)/Air Conditioner | | | | | |
|---|--------------|-------------|-------------------|-----|--------|
| 序号 | 零部件图号 | 名称 | Part Name | 数量 | 备注 |
| No. | Part No. | | | Qty | Remark |
| 1.18 | AZ1630840323 | 风机线束总成 | Wireness | 1 | |
| 1.19 | Q2714216 | 十字槽盘头自攻螺钉 | Screw | 3 | |
| 1.20 | AZ1630840049 | 转动板 | Rotating plate | 1 | |
| 1.21 | AZ1630840050 | 转动臂 | Rotating arm | 1 | |
| 1.22 | AZ1630840051 | 扭簧 | Spring | 2 | |
| 1.23 | AZ1630840052 | 大垫片 | Washer | 1 | |
| 1.24 | AZ1630840065 | 圆轴棘刺卡环 | Clip | 1 | |
| 1.25 | AZ1630840311 | 上壳体 | Upper housing | 1 | |
| 1.26 | AZ1630840401 | 出风口自粘密封垫 II | Sealing cushion | 1 | |
| 1.27 | AZ1630840093 | 泡沫密封条 II | Sealing strip | 1 | |
| 1.28 | AZ1630840063 | 连接卡子 | Clip | 8 | |
| 1.29 | AZ1630840037 | 左风门 | Air intake -left | 1 | |
| 1.30 | AZ1630840038 | 右风门 (与左件对称) | Air intake -right | 1 | |
| 1.31 | AZ1630840040 | 前风门 | Air intake -front | 1 | |
| 1.32 | AZ1630840041 | 连杆 I | Rod | 2 | |
| 1.33 | AZ1630840035 | 方轴 | Shaft | 1 | |
| 1.34 | AZ1630840036 | 后风门 | Air intake -rear | 1 | |
| 1.35 | AZ1630840039 | 曲拉杆 I | Rod | 1 | |
| 1.36 | AZ1630840053 | 莲花座 | Base | 1 | |
| 1.37 | AZ1630840034 | 扇形锥齿轮 | Gear | 2 | |

1. 34 HOWO 车空调装置(重汽插接件, 新型水管)/Air Conditioner



| 1. 34 HOWO 车空调装置(重汽插接件, 新型水管)/Air Conditioner | | | | | |
|---|----------------|--------------------|----------------|-----|--------|
| 序号 | 零部件图号 | 名称 | Part Name | 数量 | 备注 |
| No. | Part No. | | | Qty | Remark |
| 1.38 | AZ1630840016 | 进风口密封环 | Ring | 1 | |
| 1.39 | AZ1630840021 | 挡板 | Plate | 1 | |
| 1.40 | AZ1630840092 | 泡沫密封条 I | Sealing strip | 1 | |
| 2 | WG1630820019 | 橡胶衬套 | Bush | 1 | |
| 3 | WG1642821005 | HOWO 车驾驶室空调装置外供件清单 | List | 1 | |
| 3.1 | WG1642820010/2 | 冷凝器总成(汇众达) | Condenser ass. | 1 | |
| 4 | Q1840825F31 | 六角法兰面螺栓 | Screw | 1 | |
| 5 | AZ1642840084 | 进风口护网总成 | Protect net | 1 | |
| 6 | Q1840816F31 | 六角法兰面螺栓 | Screw | 1 | |
| 7 | WG1642820063 | 暖风钢管总成(新型水管) | Tube | 1 | |
| 8 | 190003989340 | 软管卡箍 | Hose clip | 4 | |
| 9 | WG1642840091 | 成型软管 I | Hose | 2 | |
| 10 | Q40206F31 | 大垫圈 | Washer | 2 | |
| 11 | Q2714825F31 | 十字槽盘头自攻螺钉 | Screw | 2 | |
| 12 | AZ1630840062 | 扁橡胶密封套 | Sealing | 2 | |
| 13 | Q150B0825F31 | 六角头螺栓 | Screw | 2 | |
| 14 | Q40208F31 | 大垫圈 | Washer | 2 | |
| 15 | Q40308F31 | 弹簧垫圈 | Washer | 2 | |
| 16 | Q40206F31 | 大垫圈 | Washer | 2 | |
| 17 | Q2140620F31 | 十字槽盘头螺钉 | Screw | 2 | |
| 18 | WG9003171356 | 塑料紧固带 A5*280 | Fastener | 10 | |

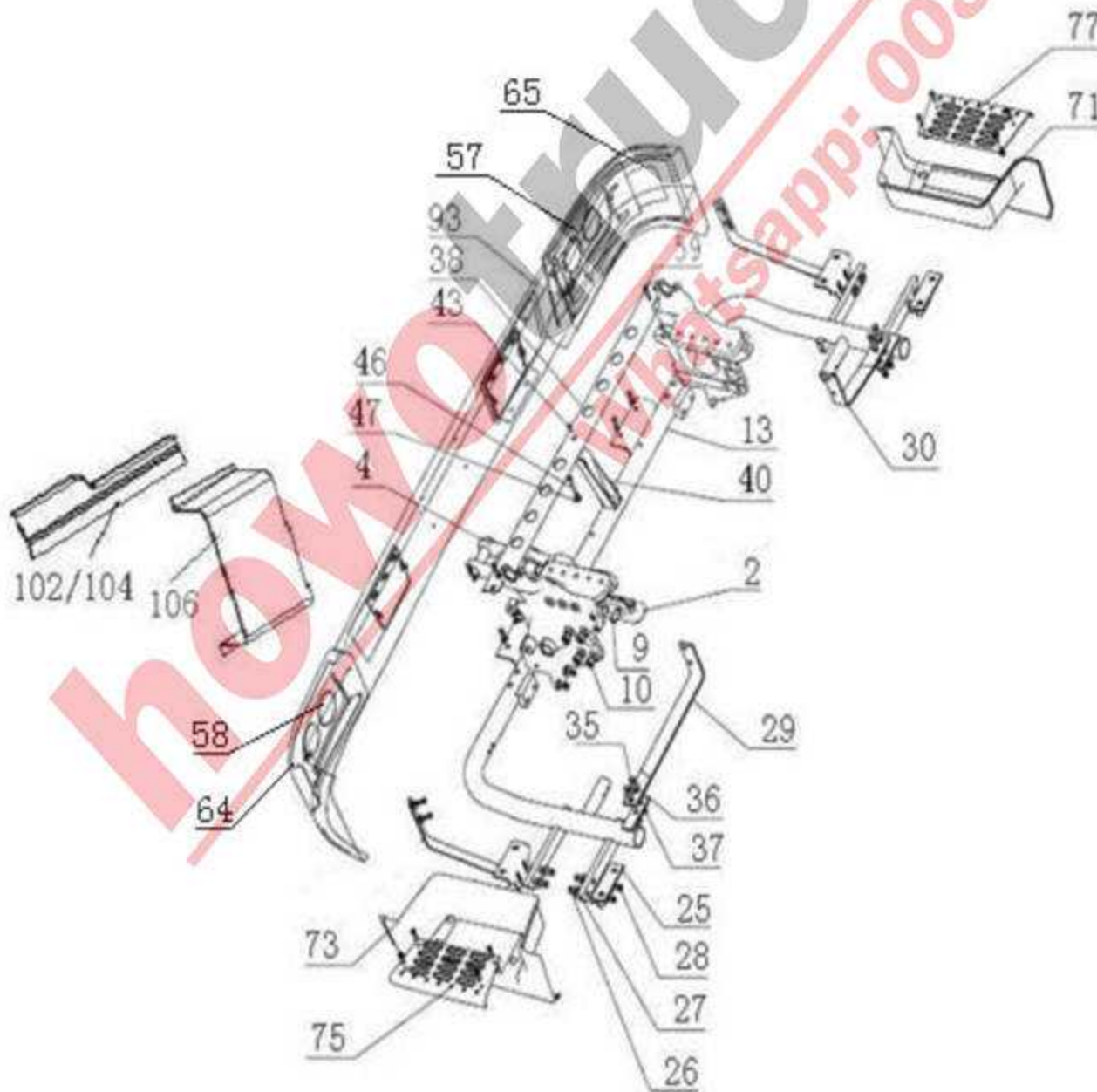
1. 35 内置空调制冷压缩机及皮带/Compressor and Belt



1.35 内置空调制冷压缩机及皮带/Compressor and Belt

| 序号 | 零部件图号 | 名称 | Part Name | 数量 | 备注 |
|-----|---------------|-------------|---------------|-----|--------|
| No. | Part No. | | | Qty | Remark |
| 14 | WG1500139001 | 制冷压缩机 (多楔带) | Compressor | 1 | |
| 16 | WG581C 160018 | 轴套 | Bush | 2 | |
| 22 | WG1500130027 | 间隔块 | Block | 1 | |
| 25 | WG1500130017 | 多楔带 | Belt | 1 | |
| 27 | WG1500090026 | 拉紧螺栓 | Screw | 1 | |
| 29 | Q150B10100 | 六角头螺栓 | Screw | 1 | |
| 30 | Q33210 | 2型全金属六角锁紧螺母 | Nut | 1 | |
| 31 | 190012630006 | I型六角螺母 | Nut | 2 | |
| 32 | 190003935015 | 平垫圈 | Washer | 2 | |
| 33 | 190003931162 | 弹簧垫圈 | Spring washer | 1 | |
| | | | | | |
| | | | | | |
| | | | | | |
| | | | | | |
| | | | | | |
| | | | | | |
| | | | | | |
| | | | | | |
| | | | | | |

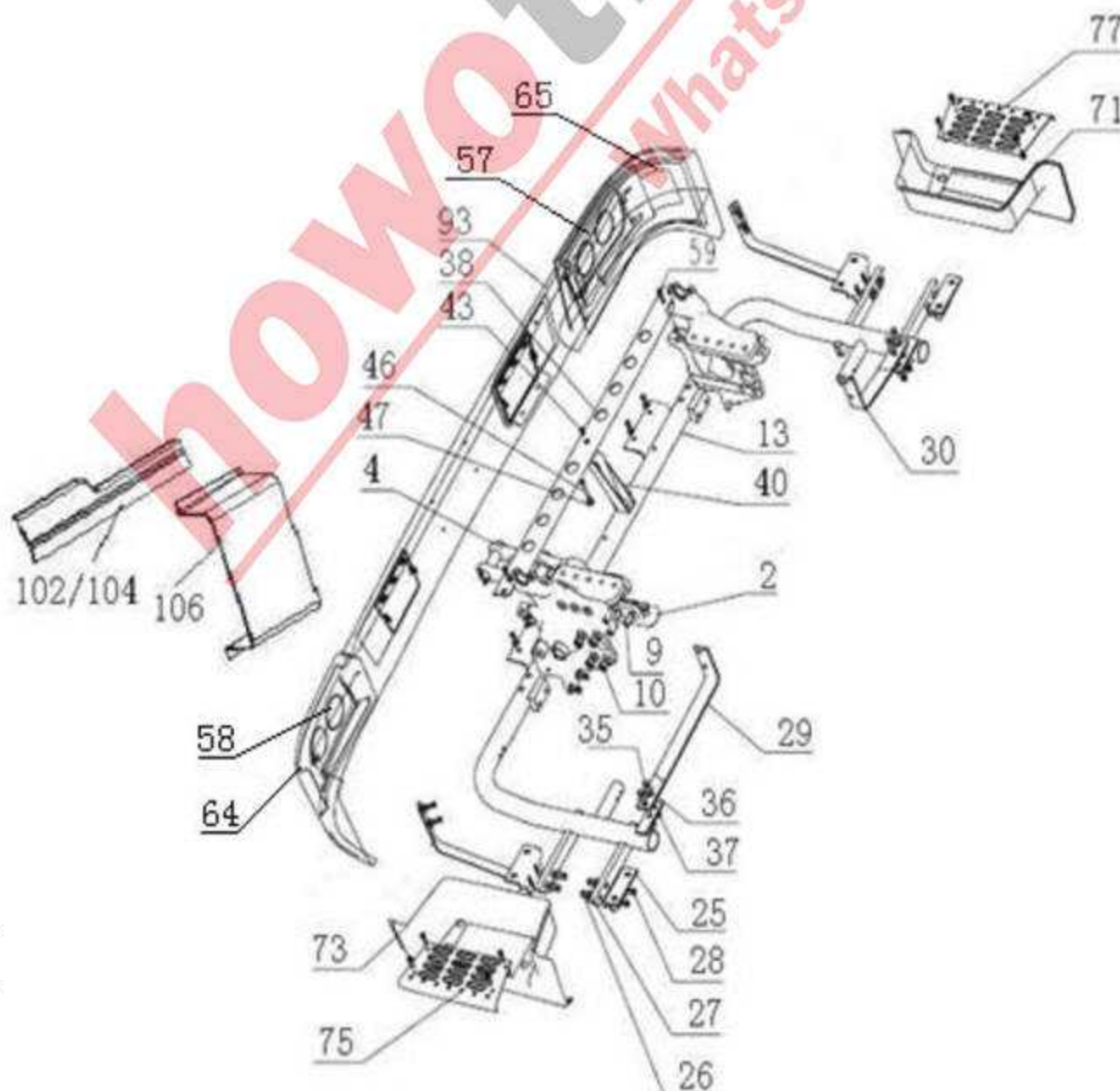
1.36 HW 自卸车金属保险杠前牵引钩/Bumper & Front Towing Hook



1.36 HW 自卸车金属保险杠前牵引钩/Bumper & Front Towing Hook

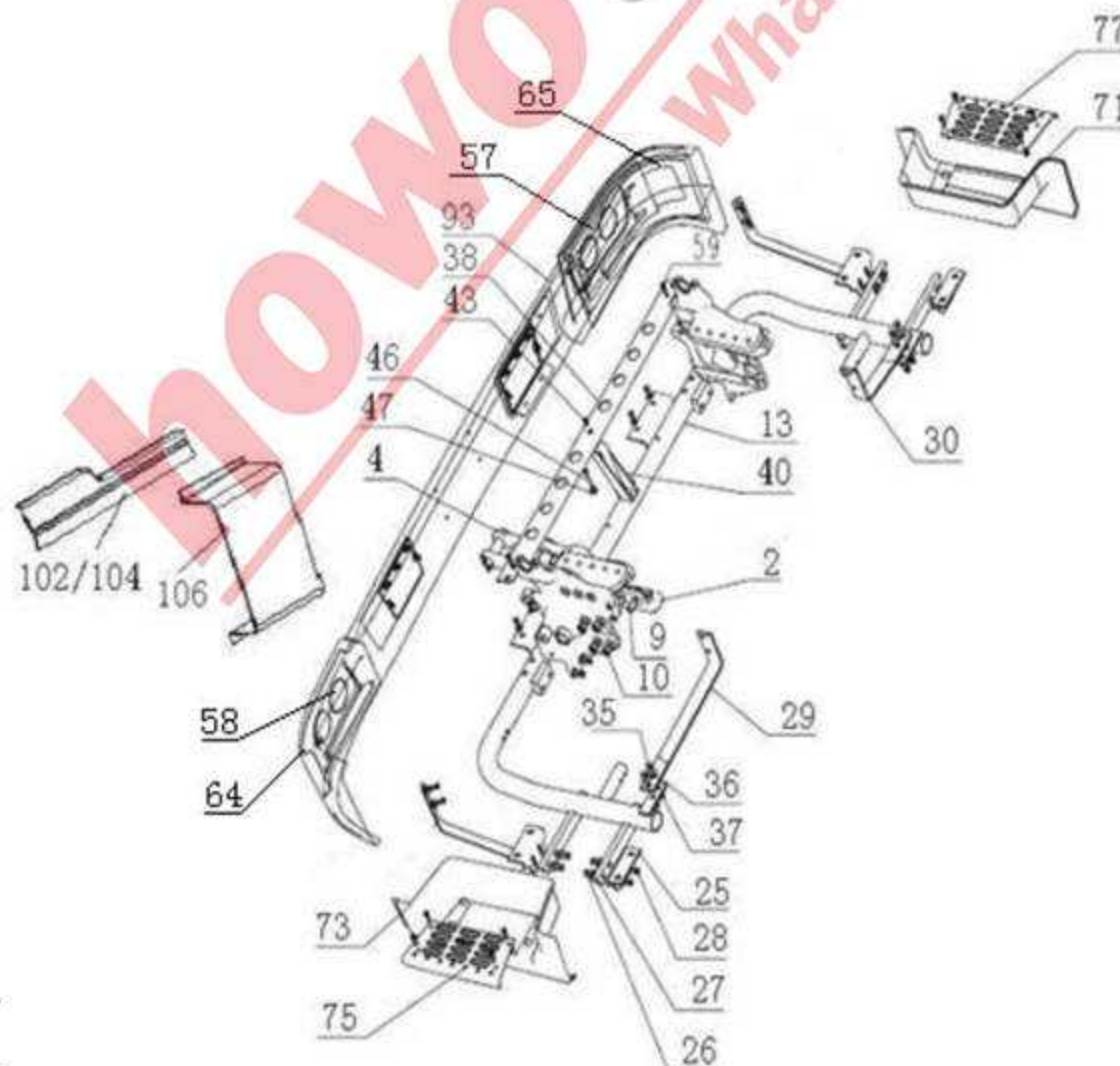
| 序号 | 零部件图号 | 名称 | Part Name | 数量 | 备注 |
|-----|--------------|-------------|------------------------|-----|--------|
| No. | Part No. | | | Qty | Remark |
| 2 | WG9725930522 | 左前牵引钩座 | Front towing hook base | 1 | |
| 4 | AZ9925930036 | 牵引钩总成 | Front towing hook ass. | 1 | |
| 4a | AZ9008830001 | 锁销 | Pin | 1 | |
| 9 | Q151B1660 | 六角头螺栓 | Screw | 3 | |
| 10 | 190003888459 | 自锁螺母 | Nut | 4 | |
| 13 | AZ9725930711 | 踏板支架总成 | Bracket | 1 | |
| 13a | Q1841075 | 六角法兰面螺栓 | Screw | 4 | |
| 13b | Q1841025 | 六角法兰面螺栓 | Screw | 4 | |
| 13c | Q40210 | 大垫圈 | Washer | 8 | |
| 13d | Q40310 | 弹簧垫圈 | Spring washer | 8 | |
| 25 | AZ9725930710 | 支撑板 | Support plate | 4 | |
| 26 | Q150B1045 | 六角头螺栓 | Screw | 8 | |
| 27 | Q40210 | 大垫圈 | Washer | 16 | |
| 28 | Q33210 | 2型全金属六角锁紧螺母 | Nut | 8 | |
| 29 | AZ9725930535 | 踏板支架左拉板 | Plate - left | 1 | |
| 30 | AZ9725930536 | 踏板支架右拉板 | Plate - right | 1 | |
| 30a | AZ9725550001 | 大垫圈 | Washer | 2 | |
| 30b | Q150B1040 | 六角头螺栓 | Screw | 2 | |
| 30c | Q40210 | 大垫圈 | Washer | 2 | |
| 30d | Q33210 | 2型全金属六角锁紧螺母 | Nut | 2 | |

1.36 HW 自卸车金属保险杠前牵引钩/Bumper & Front Towing Hook



| 序号 | 零部件图号 | 名称 | Part Name | 数量 | 备注 |
|-----|--------------|-------------|---------------------|-----|--------|
| No. | Part No. | | | Qty | Remark |
| 30e | Q150B1035 | 六角头螺栓 | Screw | 4 | |
| 30f | Q40210 | 大垫圈 | Washer | 8 | |
| 30g | Q33210 | 2型全金属六角锁紧螺母 | Nut | 4 | |
| 38 | WG9725930029 | 保险杠上表面支撑板 | Upper support plate | 1 | |
| 40 | AZ9725930034 | 保险杠中置支架总成 | Bracket - middle | 1 | |
| 43 | Q2540820 | 十字槽沉头螺钉 | Screw | 1 | |
| 43a | Q40308 | 弹簧垫圈 | Spring washer | 1 | |
| 43b | Q340B08 | 1型六角螺母 | Nut | 1 | |
| 46 | Q150B0880 | 螺栓 | Screw | 1 | |
| 46a | Q33208 | 2型全金属六角锁紧螺母 | Nut | 1 | |
| 47 | Q40208 | 大垫圈 | Washer | 2 | |
| 57 | AZ1641240026 | 右保险杠封板 | Plate - right | 1 | |
| 58 | AZ1641240027 | 左保险杠封板 | Plate - left | 1 | |
| 58a | Q1840830 | 六角法兰面螺栓 | Screw | 2 | |
| 58b | Q150B0822 | 六角头螺栓 | Screw | 4 | |
| 58c | Q40208 | 大垫圈 | Washer | 8 | |
| 58d | Q40308 | 弹簧垫圈 | Spring washer | 6 | |
| 58e | Q340B08 | 1型六角螺母 | Nut | 6 | |
| 64 | AZ1642240050 | 保险杠左装饰板 | Panelling -left | 1 | |
| 65 | AZ1642240051 | 保险杠右装饰板 | Panelling -right | 1 | |

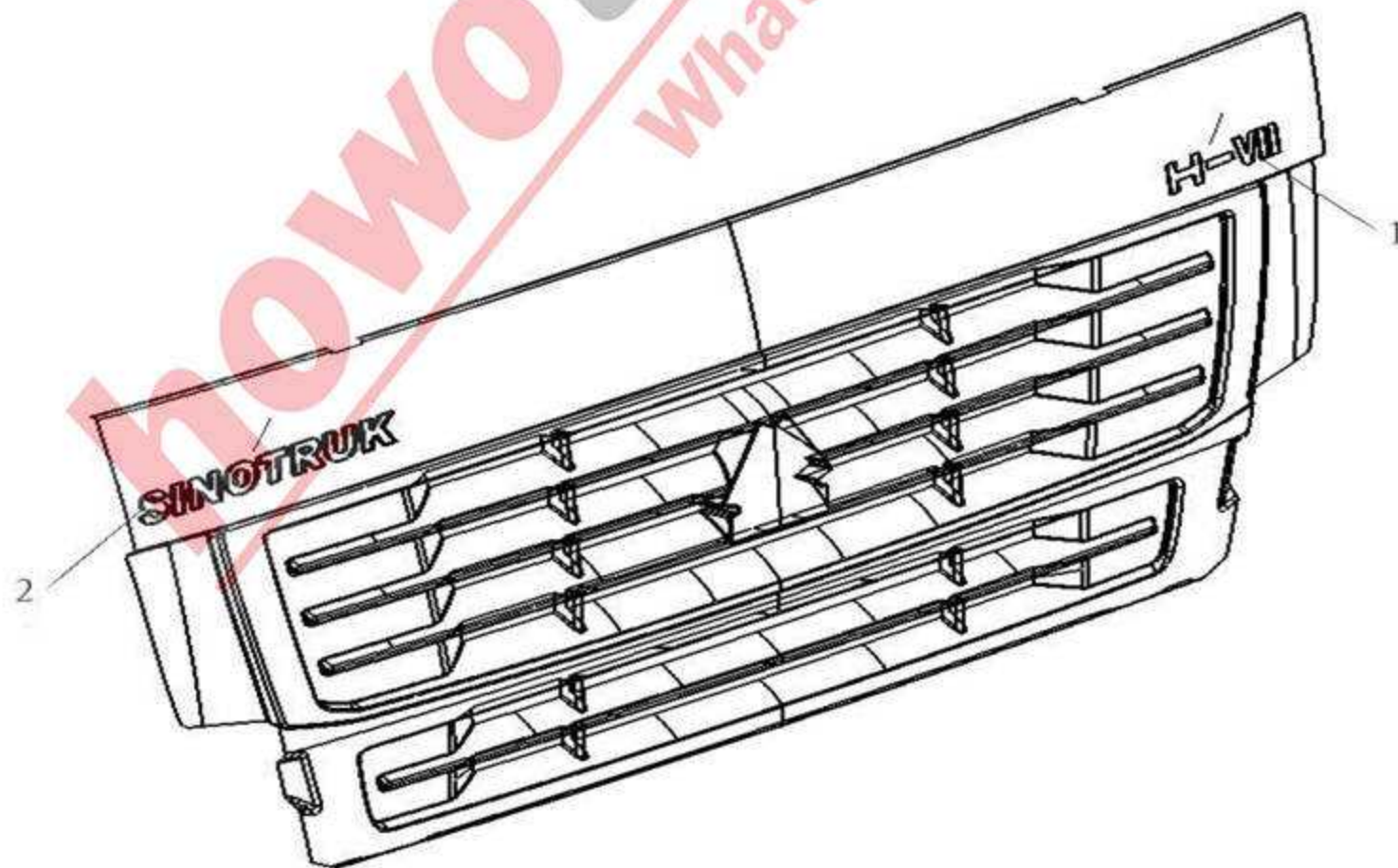
1. 36 HW 自卸车金属保险杠前牵引钩/Bumper & Front Towing Hook



ng Hook

| 序号 | 零部件图号 | 名称 | Part Name | 数量 | 备注 |
|-----|--------------|-------------|----------------------------|-----|--------|
| No. | Part No. | | | Qty | Remark |
| 65a | WG1642930009 | 卡簧螺母 | Nut | 4 | |
| 65b | Q2714819 | 十字槽盘头自攻螺钉 | Screw | 4 | |
| 66c | Q40206 | 大垫圈 | Washer | 4 | |
| 71 | WG1641240114 | 右下踏板 | Lower step - right | 1 | |
| 73 | WG1641240113 | 左下踏板 | Lower step - left | 1 | |
| 75 | WG1641240115 | 左下踏板防滑板 | Anti-sliding plate - left | 1 | |
| 77 | WG1641240116 | 右下踏板防滑板 | Anti-sliding plate - right | 1 | |
| 77a | Q340B08 | 1型六角螺母 | Nut | 8 | |
| 77b | Q2540835 | 十字槽沉头螺钉 | Screw | 8 | |
| 93 | AZ1641241003 | 金属保险杠总成 | Bumper ass. | 1 | |
| 93a | Q151B1670 | 六角头螺栓 | Screw | 1 | |
| 93b | Q151B1445 | 六角头螺栓 | Screw | 3 | |
| 93c | Q40208 | 大垫圈 | Washer | 8 | |
| 93d | Q40308 | 弹簧垫圈 | Spring washer | 8 | |
| 102 | WG1641240035 | 左加强板 | Plate-left | 1 | |
| 104 | WG1641240036 | 右加强板(与左件对称) | Plate -right | 1 | |
| 106 | WG1641240037 | 中间加强板 | Plate -middle | 2 | |
| 110 | WG9925930038 | 销子 | Pin | 1 | |
| 112 | WG9925930039 | 销子挂绳 | String | 1 | |

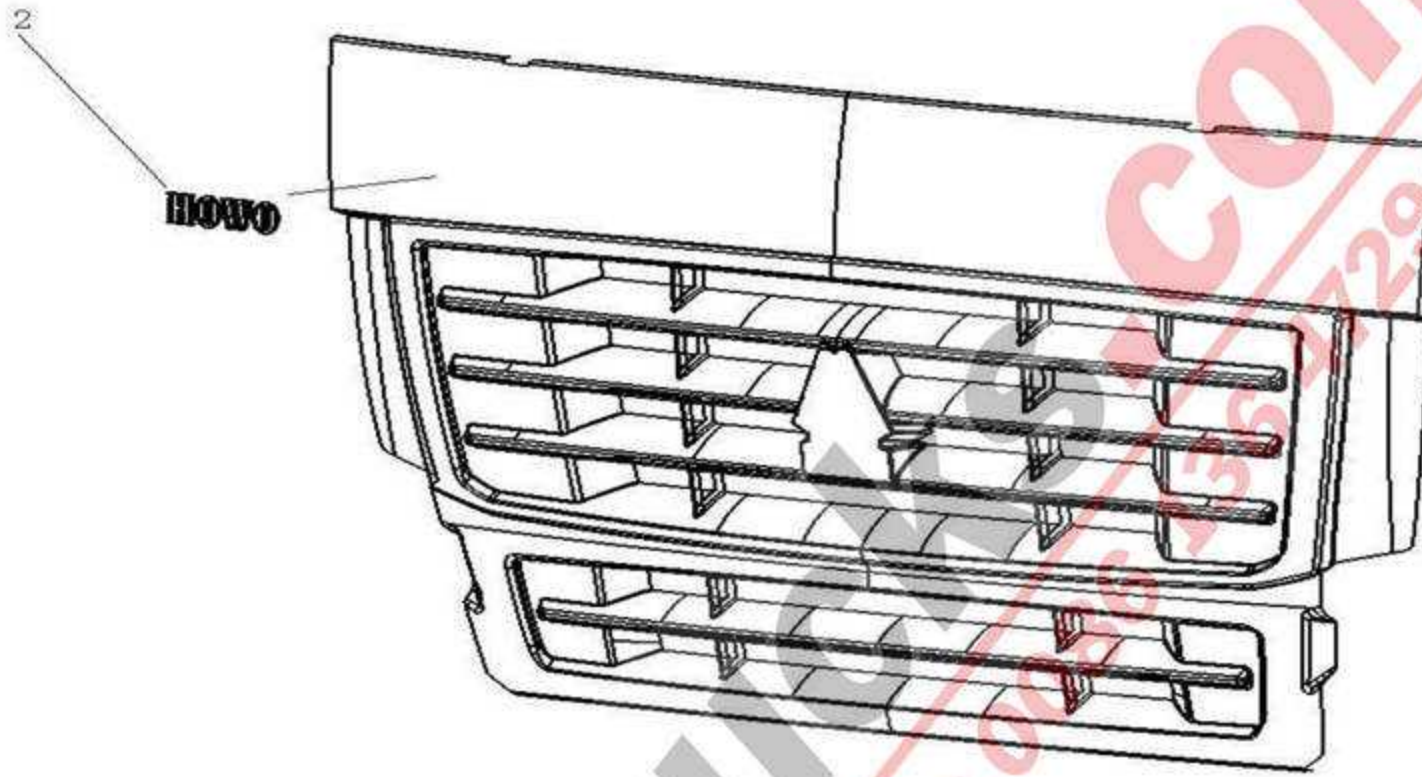
1. 37 SINOTRUK 标牌/"SINOTRUK" Logo



1. 37 SINOTRUK 标牌/"SINOTRUK" Logo

| 序号 | 零部件图号 | 名称 | Part Name | 数量 | 备注 |
|-----|--------------|-------------|-----------------|-----|--------|
| No. | Part No. | | | Qty | Remark |
| 1 | WG1642950011 | H-VII 标牌 | "H-VII" Logo | 1 | |
| 2 | AZ1646950002 | SINOTRUK 标牌 | "SINOTRUK" Logo | 1 | |

1.38 文字商标 (HOWO) / "HOWO" Logo



1.38 文字商标 (HOWO) / "HOWO" Logo

| 序号 | 零部件图号 | 名称 | Part Name | 数量 | 备注 |
|-----|--------------|-------------|-------------|-----|--------|
| No. | Part No. | | | Qty | Remark |
| 1 | WG1642930070 | 文字商标 (HOWO) | "HOWO" Logo | 1 | |